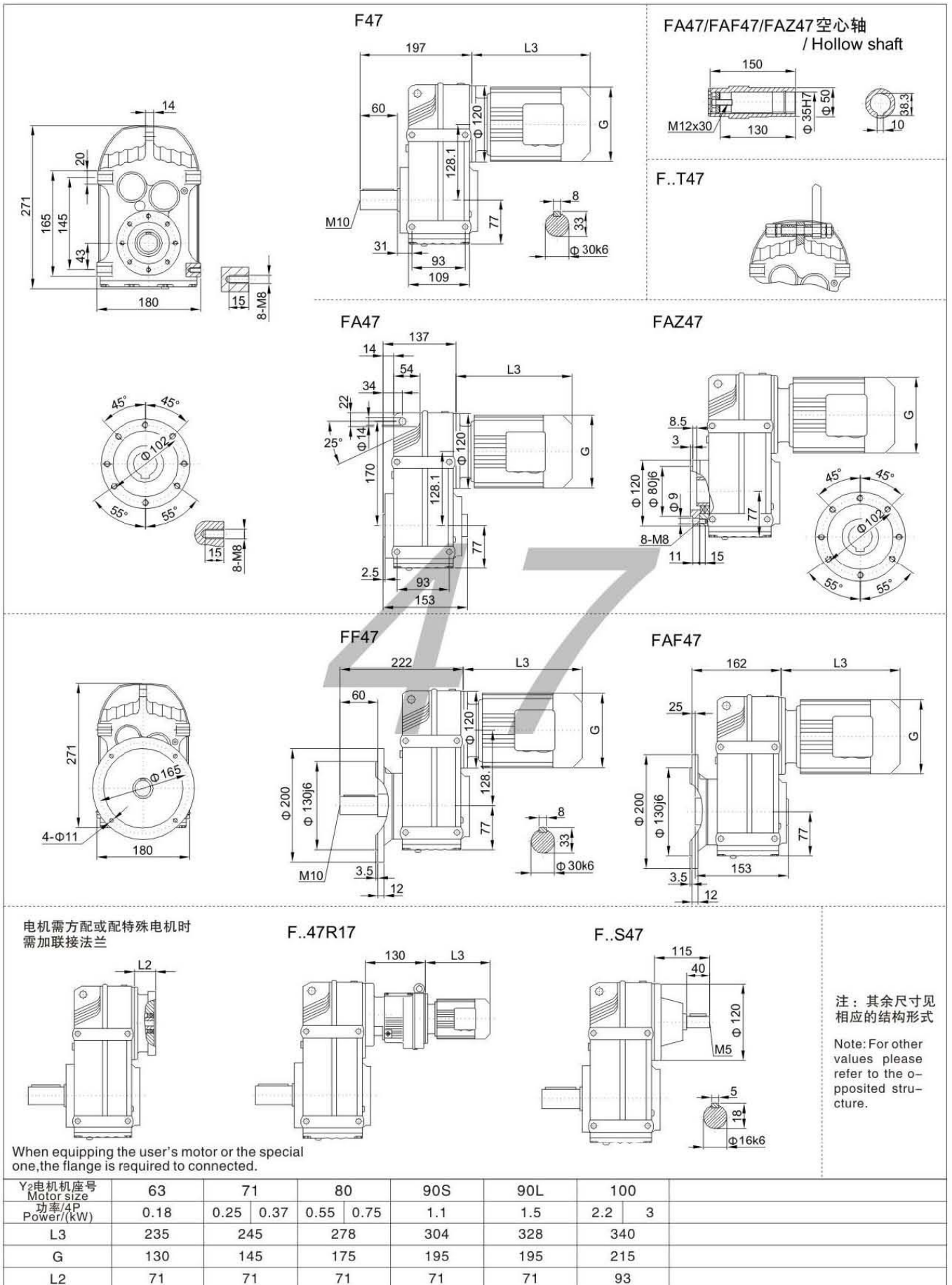


F

注:1.以上壳体为通用件,安装尺寸均可相互参照 2."F.."表示F、FA、FF、FAF、FAZ

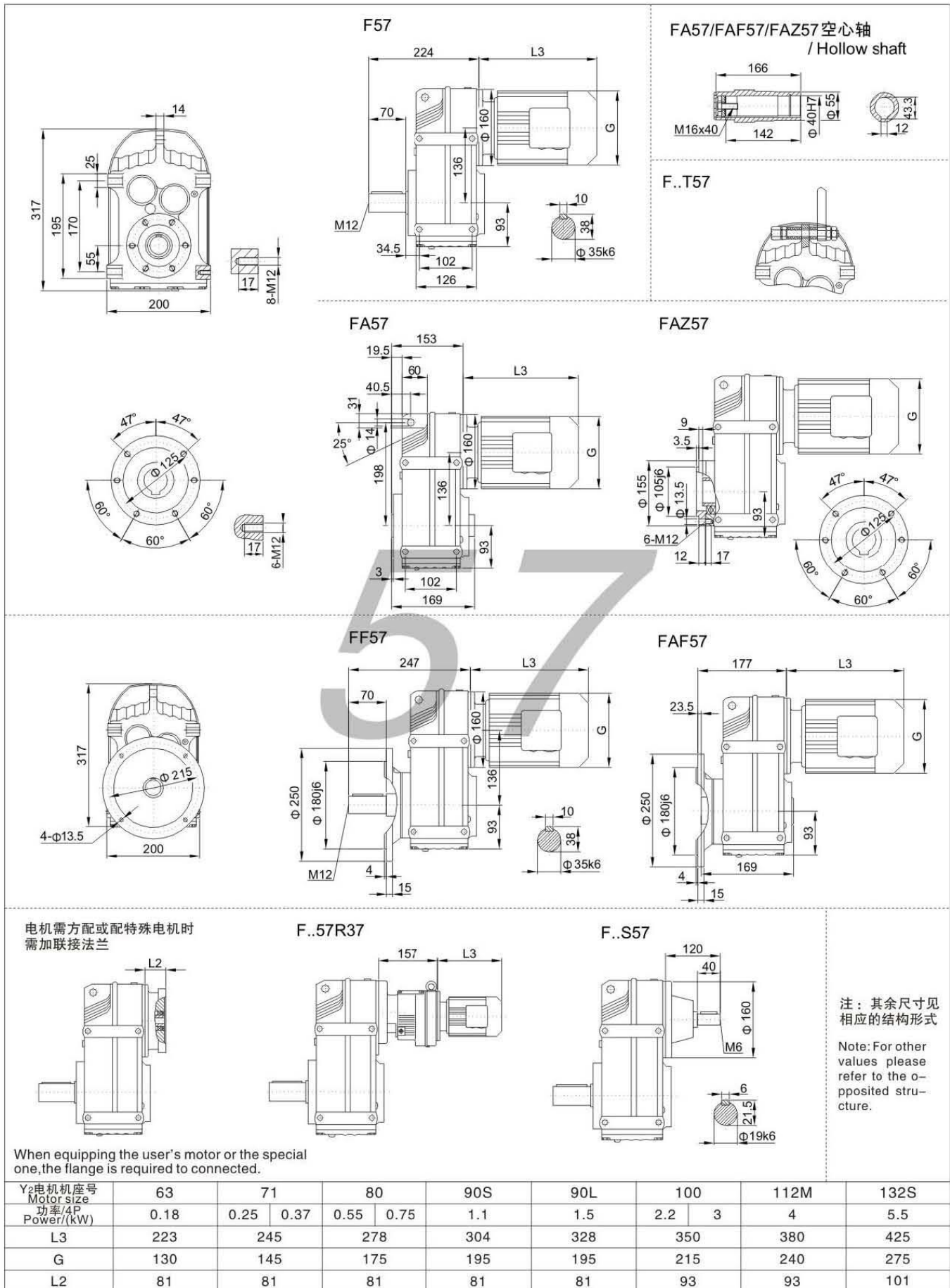
Note:1.The above housings are common parts.The mounting dimensions may consult each other. 2."F.."mean F、FA、FF、FAF、FAZ



F

注:1.以上壳体为通用件,安装尺寸均可相互参照 2."F.."表示F、FA、FF、FAF、FAZ

Note:1.The above housings are common parts.The mounting dimensions may consult each other. 2."F.."mean F、FA、FF、FAF、FAZ

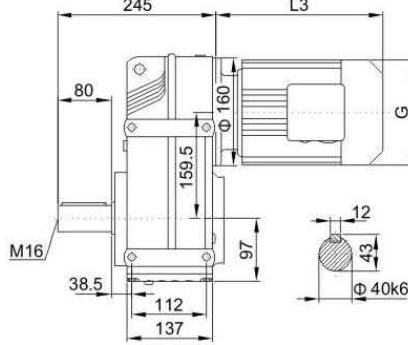
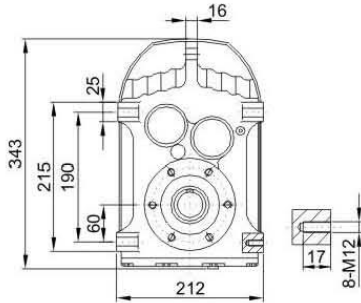


注:1.以上壳体为通用件,安装尺寸均可相互参照 2."F.."表示F、FA、FF、FAF、FAZ

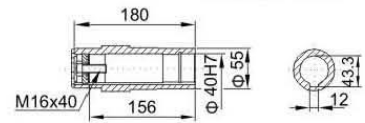
Note:1.The above housings are common parts.The mounting dimensions may consult each other. 2."F.."mean F、FA、FF、FAF、FAZ



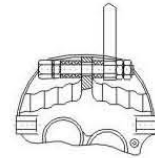
F67



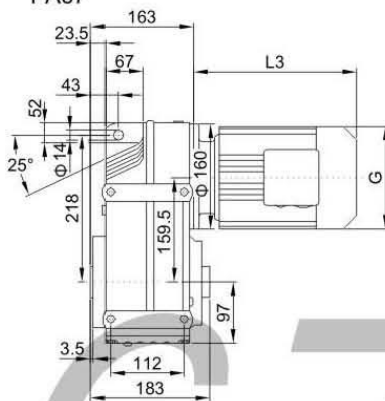
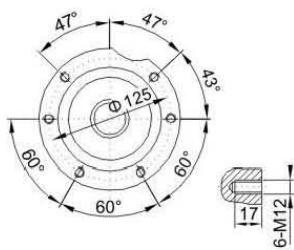
FA67/FAF67/FAZ67空心轴 / Hollow shaft



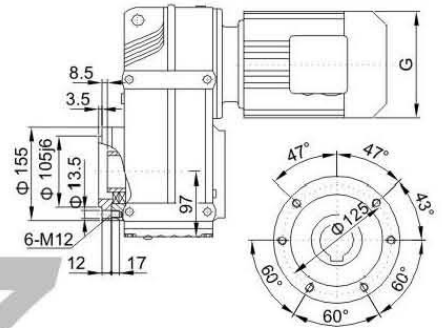
F..T67



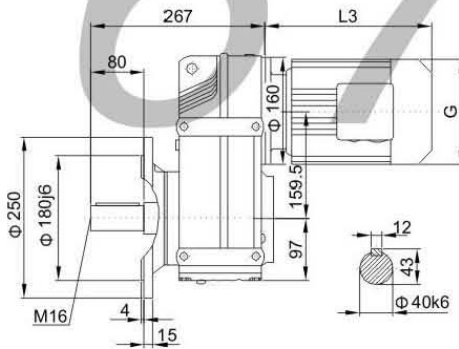
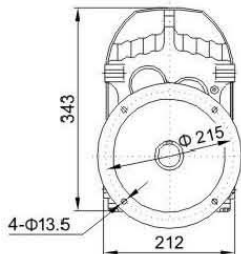
FA67



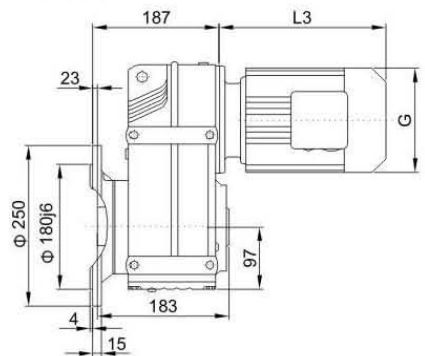
FAZ67



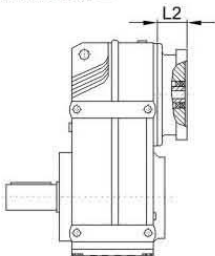
FF67



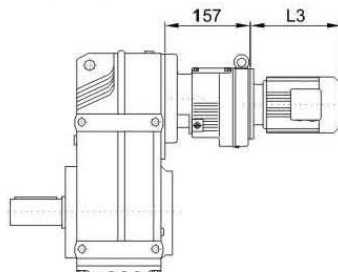
FAF67



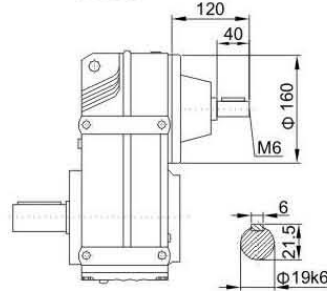
电机需方配或配特殊电机时需加联接法兰



F..67R37



F..S67



注：其余尺寸见相应的结构形式

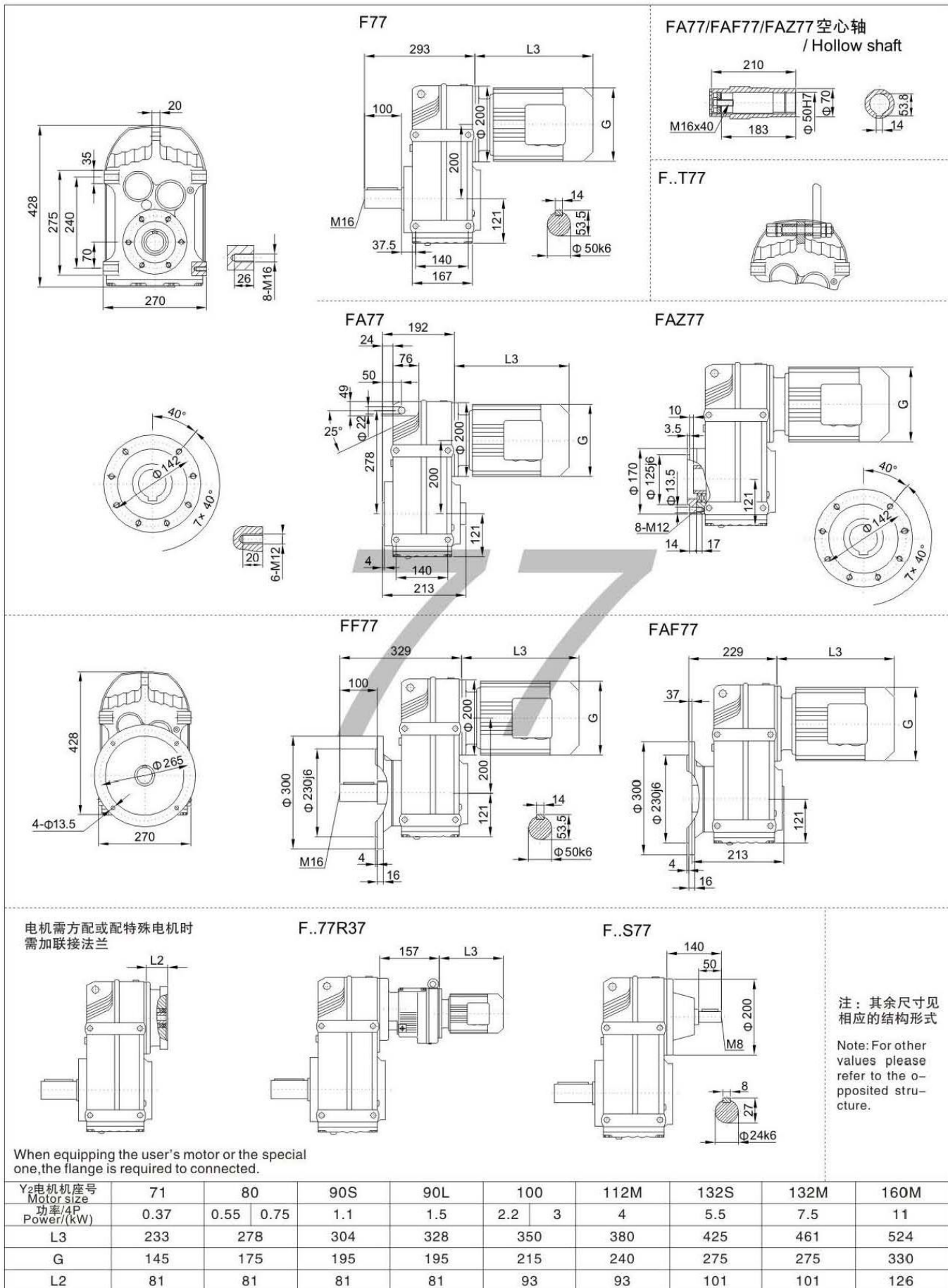
Note: For other values please refer to the opposed structure.

When equipping the user's motor or the special one, the flange is required to be connected.

Y <sub>2</sub> 电机机座号 Motor size 功率/4P Power/(kW)	63	71	80	90S	90L	100	112M	132S
L3	223	245	278	304	328	350	380	425
G	130	145	175	195	195	215	240	275
L2	81	81	81	81	81	93	93	101

注:1.以上壳体为通用件,安装尺寸均可相互参照 2."F.."表示F、FA、FF、FAF、FAZ

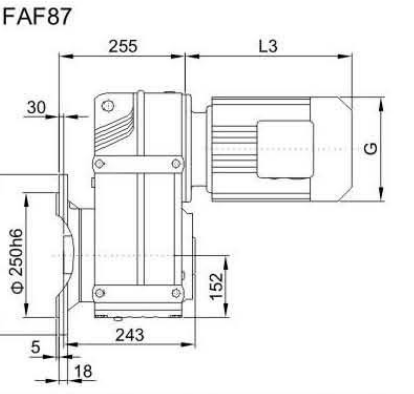
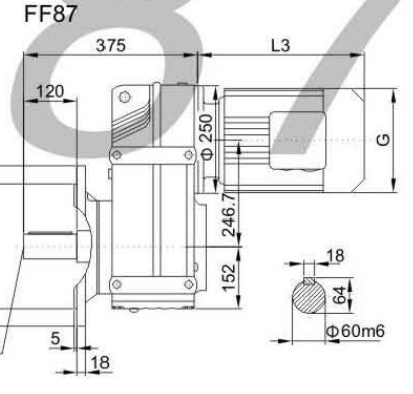
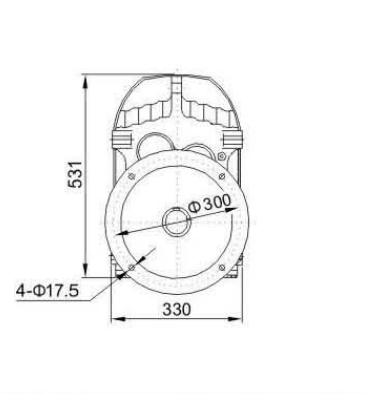
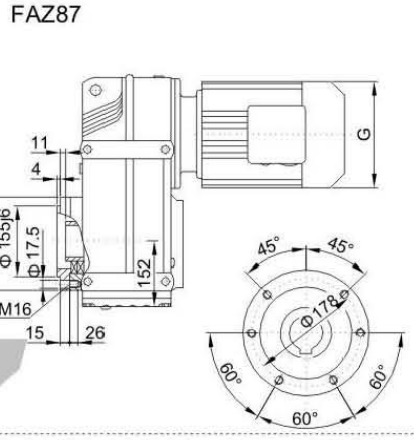
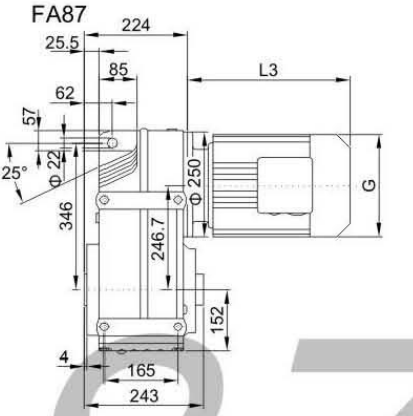
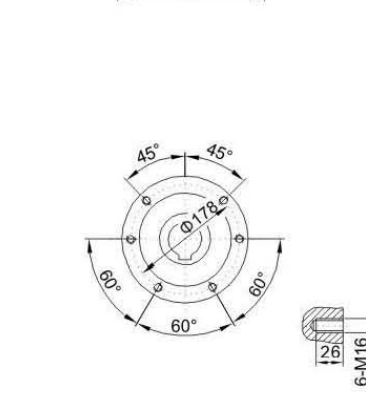
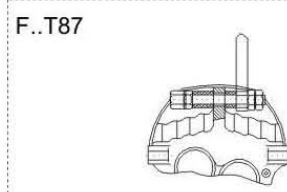
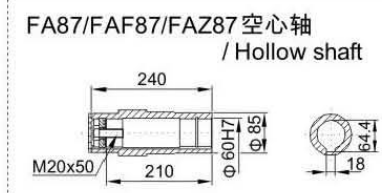
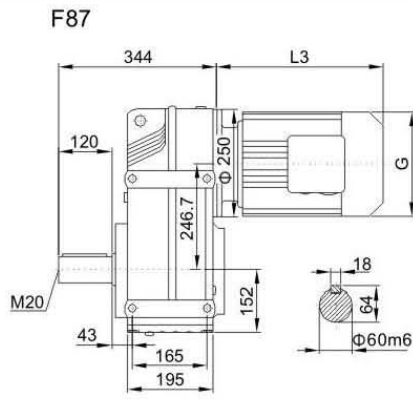
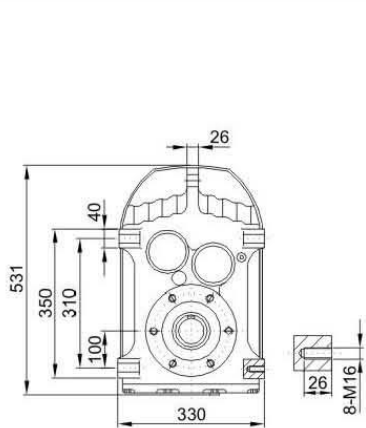
Note:1.The above housings are common parts.The mounting dimensions may consult each other. 2."F.."mean F、FA、FF、FAF、FAZ



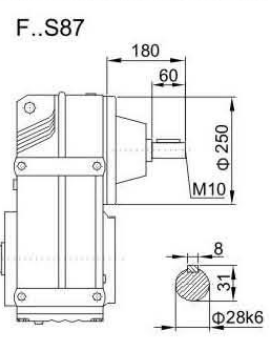
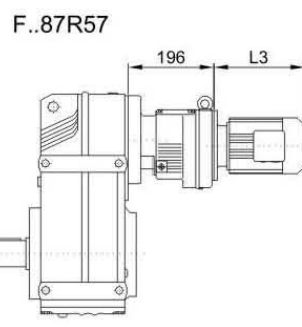
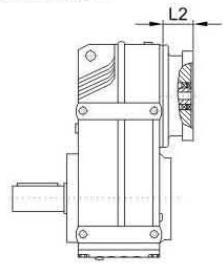
F

注:1.以上壳体为通用件,安装尺寸均可相互参照 2."F.."表示F、FA、FF、FAF、FAZ

Note:1.The above housings are common parts.The mounting dimensions may consult each other. 2."F.."mean F、FA、FF、FAF、FAZ



电机需方配或配特殊电机时需加联接法兰



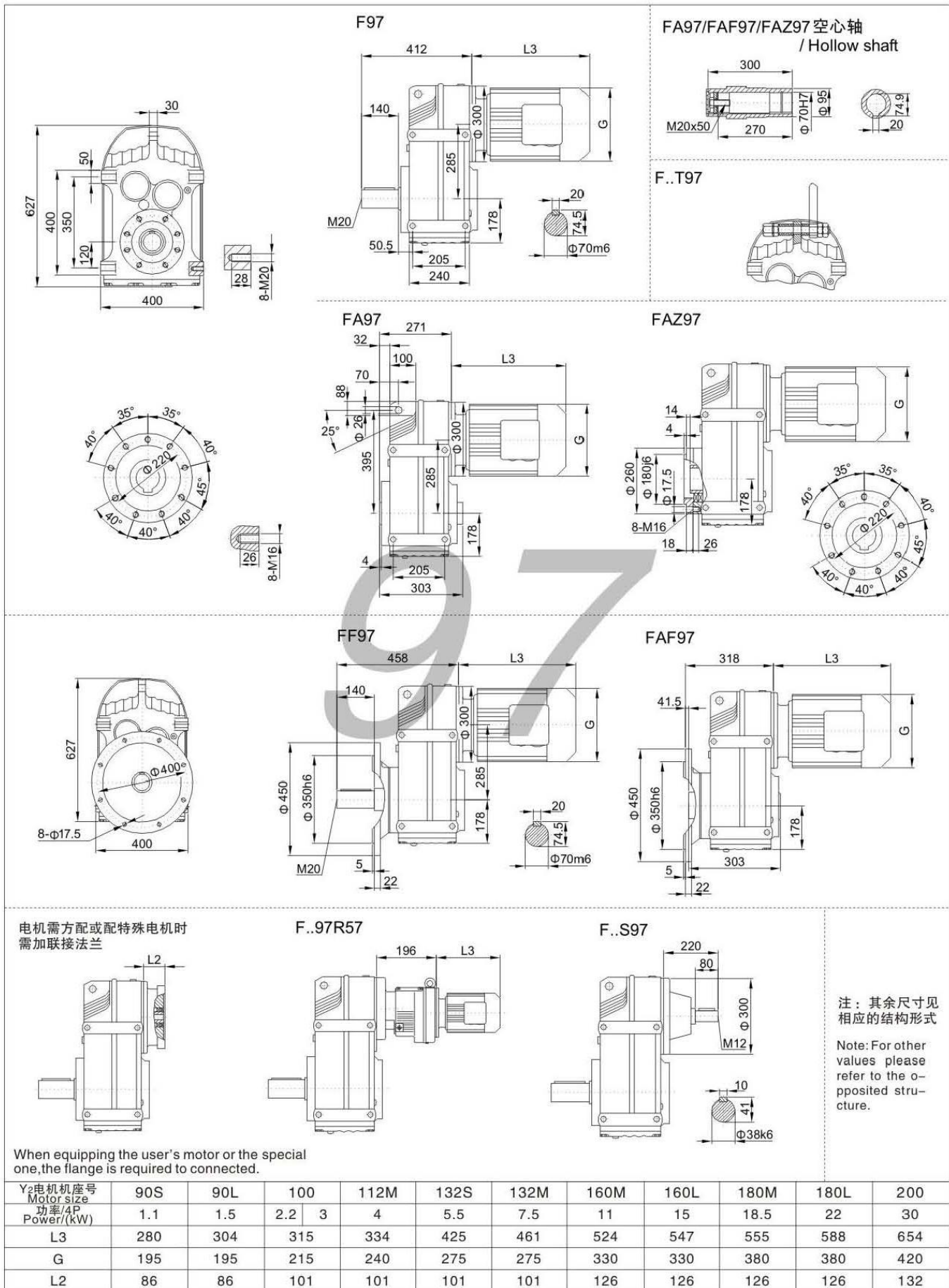
注：其余尺寸见相应的结构形式  
Note: For other values please refer to the opposed structure.

When equipping the user's motor or the special one, the flange is required to be connected.

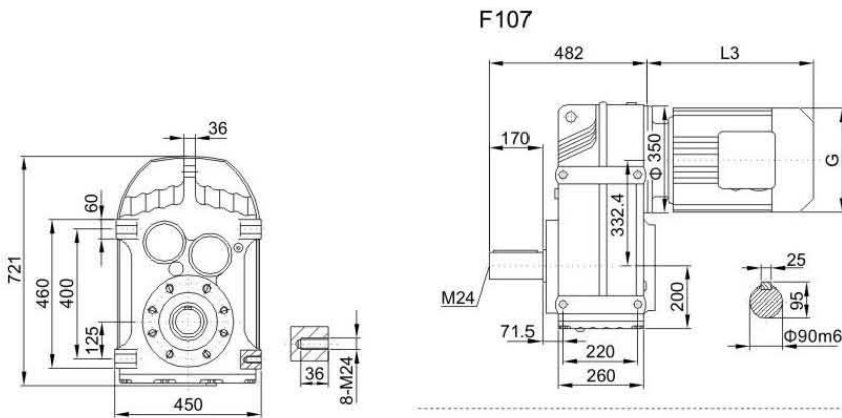
Y <sub>2</sub> 电机机座号 Motor size	80	90S	90L	100	112M	132S	132M	160M	160L	180M	180L
功率/4P Power/(kW)	0.75	1.1	1.5	2.2	3	4	5.5	7.5	11	15	22
L3	246	280	304	350	380	425	461	524	547	583	616
G	175	195	195	215	240	275	275	330	330	380	380
L2	86	86	86	71	71	101	101	126	126	126	126

注:1.以上壳体为通用件,安装尺寸均可相互参照 2."F.."表示F、FA、FF、FAF、FAZ  
Note:1.The above housings are common parts.The mounting dimensions may consult each other. 2."F.."mean F、FA、FF、FAF、FAZ

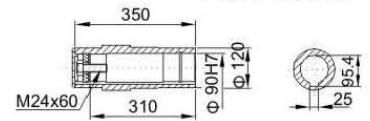




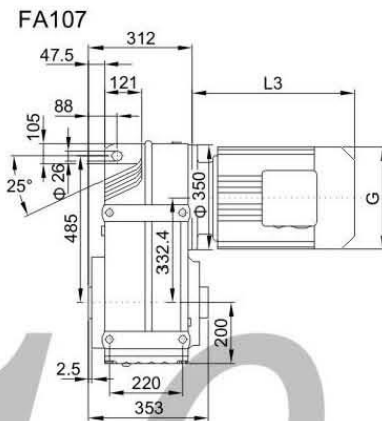
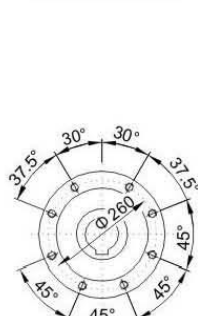
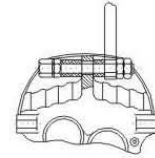
F



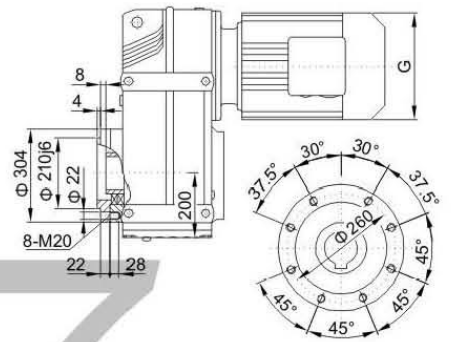
FA107/FAF107/FAZ107空心轴 / Hollow shaft



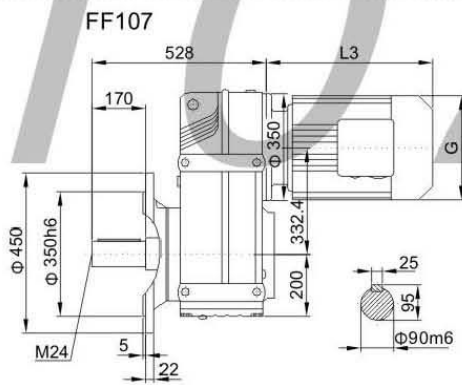
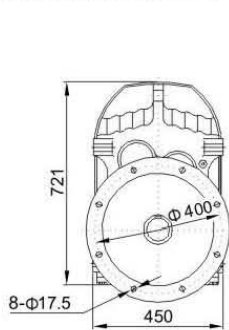
F..T107



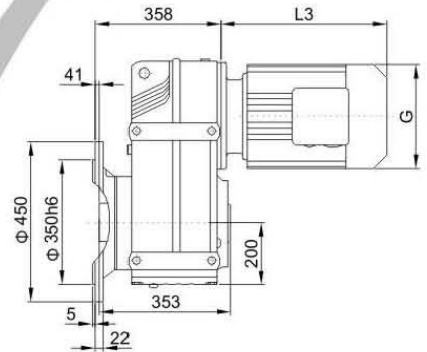
FAZ107



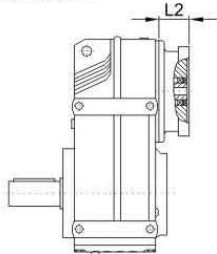
F



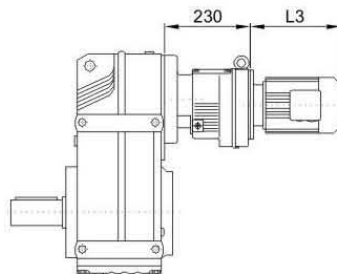
FAF107



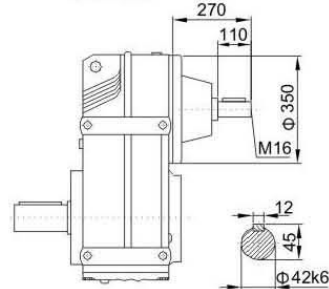
电机需方配或配特殊电机时需加联接法兰



F..107R77



F..S107



注：其余尺寸见相应的结构形式

Note: For other values please refer to the opposed structure.

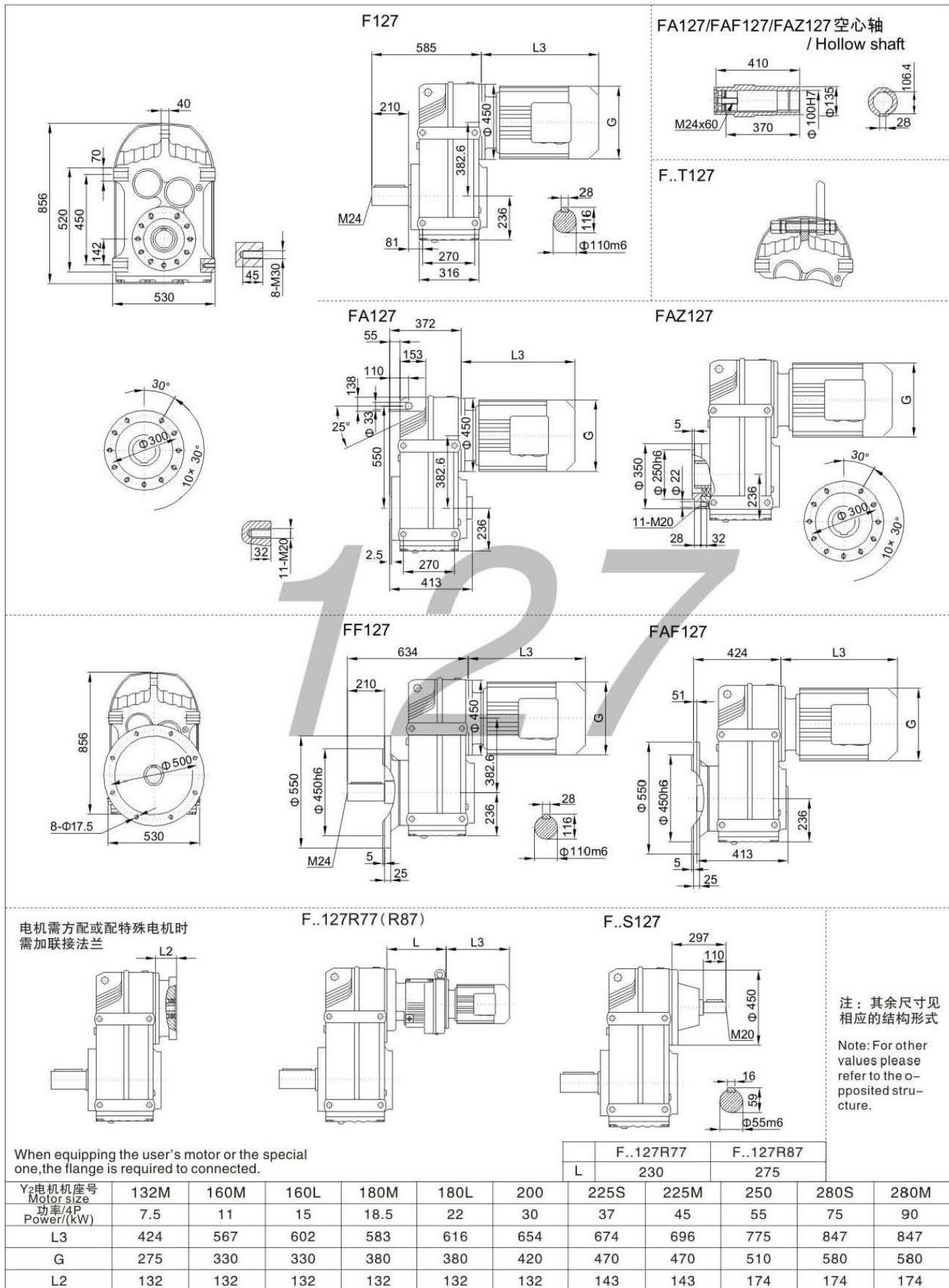
When equipping the user's motor or the special one, the flange is required to be connected.

Y <sub>2</sub> 电机机座号 Motor size	100	112M	132S	132M	160M	160L	180M	180L	200	225S	225M
功率/4P Power/(kW)	2.2 3	4	5.5	7.5	11	15	18.5	22	30	37	45
L3	318	334	386	422	504	519	555	588	654	680	702
G	215	240	275	275	330	330	380	380	420	470	470
L2	101	101	101	101	126	126	126	126	132	132	132

注:1.以上壳体为通用件,安装尺寸均可相互参照 2."F.."表示F、FA、FF、FAF、FAZ

Note:1.The above housings are common parts.The mounting dimensions may consult each other. 2."F.."mean F、FA、FF、FAF、FAZ





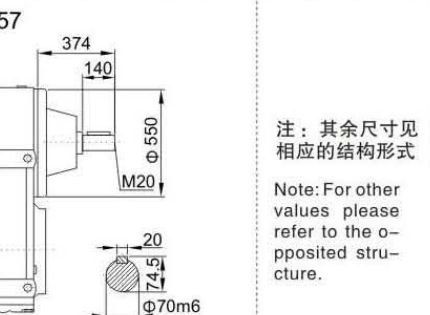
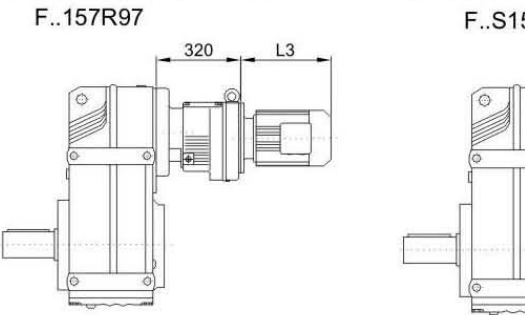
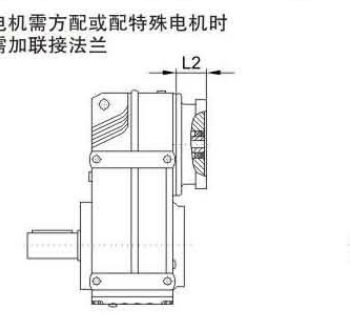
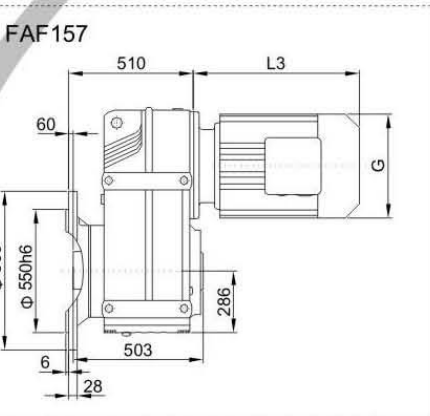
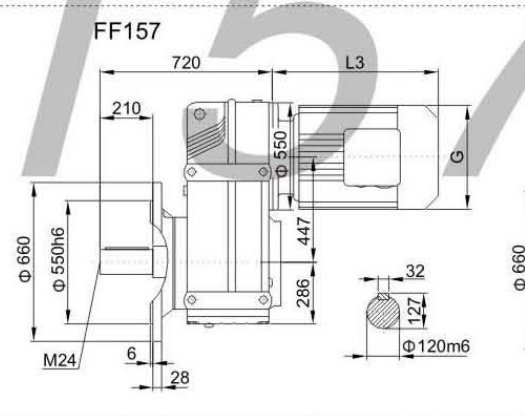
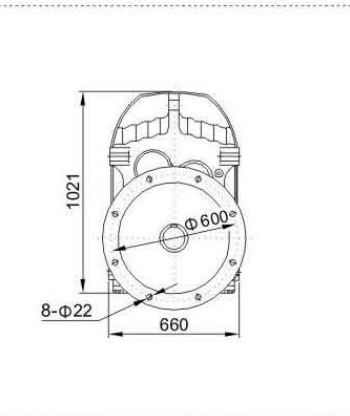
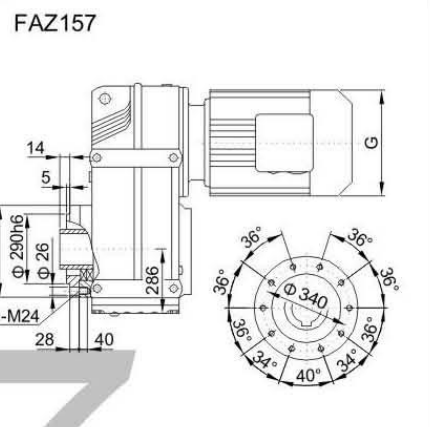
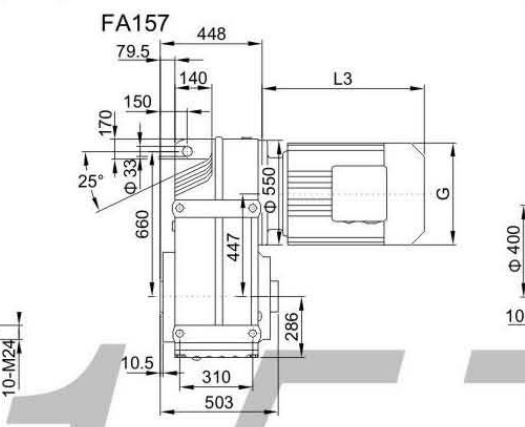
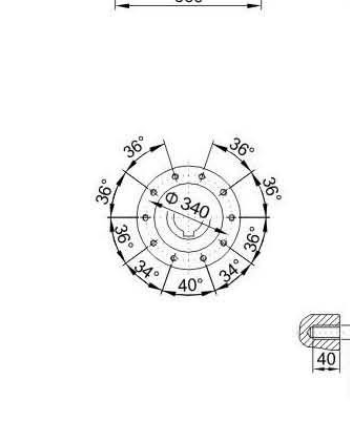
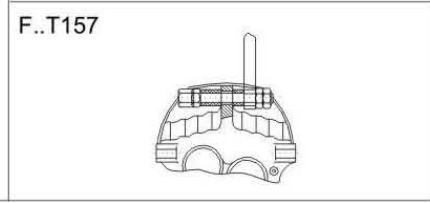
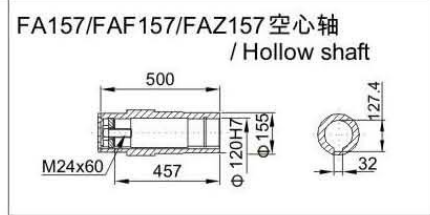
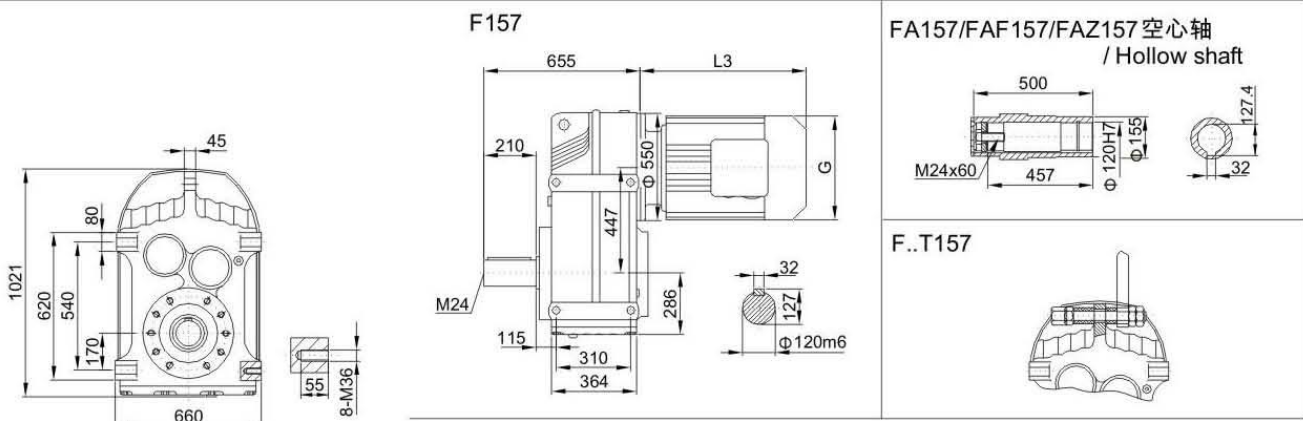
F

注:1.以上壳体为通用件,安装尺寸均可相互参照 2."F.."表示F、FA、FF、FAF、FAZ

Note:1.The above housings are common parts.The mounting dimensions may consult each other. 2."F.."mean F、FA、FF、FAF、FAZ



# 外形安装尺寸 Mounting Dimension Sheets-overview



注：其余尺寸见相应的结构形式  
Note: For other values please refer to the o-  
pposed structure.

When equipping the user's motor or the special one, the flange is required to be connected.

Y <sub>2</sub> 电机座号 Motor size	160M	160L	180M	180L	200	225S	225M	250	280S	280M	315S	315M	315L
功率/4P Power/(kW)	11	15	18.5	22	30	37	45	55	75	90	110	132	160
L3	567	602	635	666	642	669	691	770	828	879	1100	1180	1270
G	330	330	380	380	420	470	470	510	580	580	645	645	645
L2	143	143	143	143	143	143	143	143	143	143	145	145	145

注:1.以上壳体为通用件,安装尺寸均可相互参照 2."F.."表示F、FA、FF、FAF、FAZ  
Note:1.The above housings are common parts.The mounting dimensions may consult each other. 2."F.."mean F、FA、FF、FAF、FAZ