

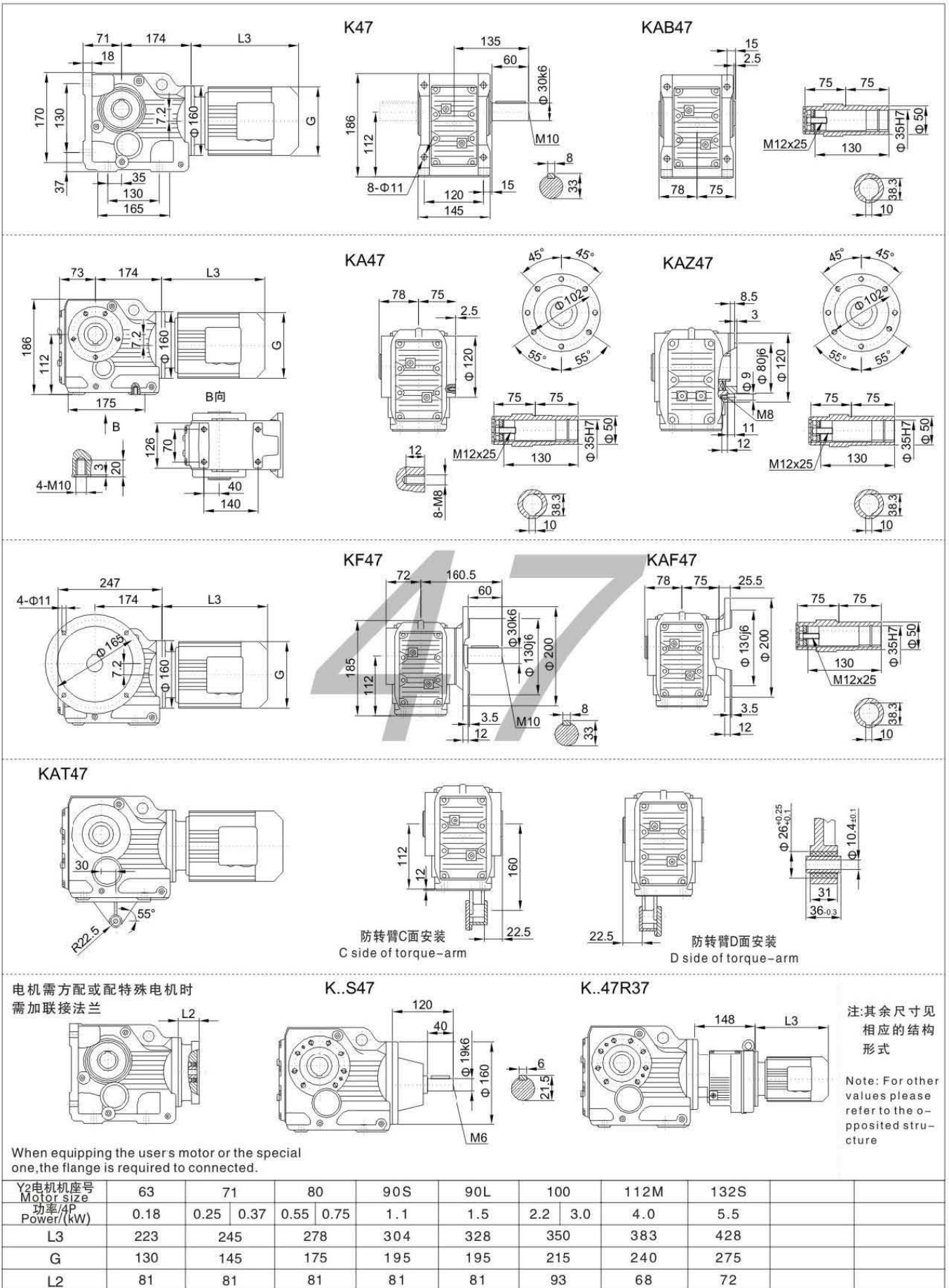
K

注:其余尺寸见相应的结构形式  
Note: For other values please refer to the o-posed structure

注:1.KA、KF、KAF、KAZ壳体为通用件,安装尺寸均可相互参照。2.“K.”表示K、KA、KF、KAF、KAZ、KAB。  
Note:1.The housings of KA、KF、KAF、KAZ are common parts.The mounting dimensions may consult each other. 2.“K.” mean K、KA、KF、KAF、KAZ、KAB.

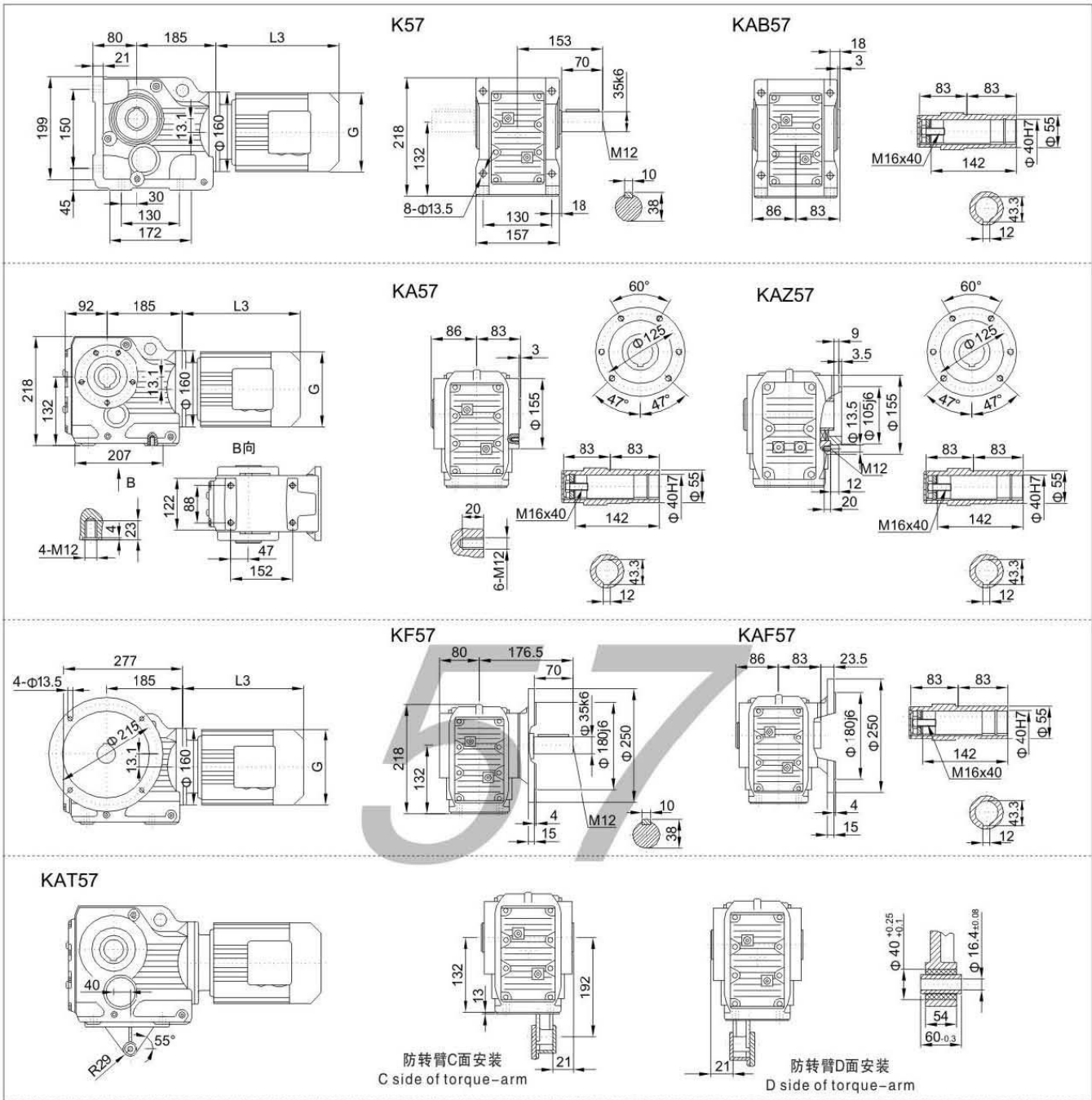


# 外形安装尺寸 Mounting Dimension Sheets-overview



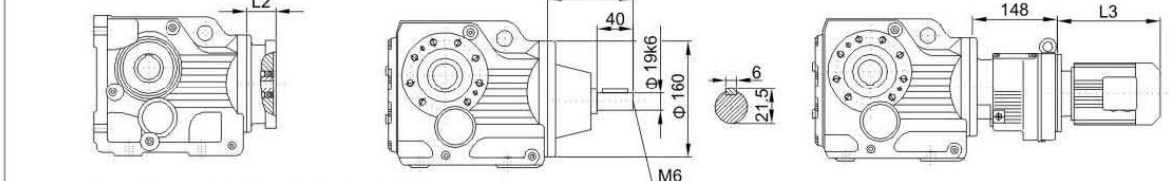
注:1.KA、KF、KAF、KAZ壳体为通用件, 安装尺寸均可相互参照。2.“K.”表示K、KA、KF、KAF、KAZ、KAB。  
Note:1.The housings of KA、KF、KAF、KAZ are common parts. The mounting dimensions may consult each other. 2.“K.” mean K、KA、KF、KAF、KAZ、KAB.





**K**

电机需方配或配特殊电机时需加联接法兰



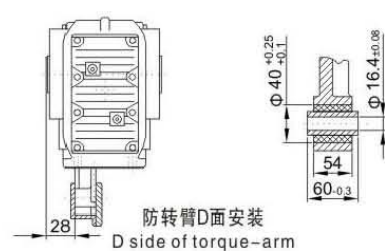
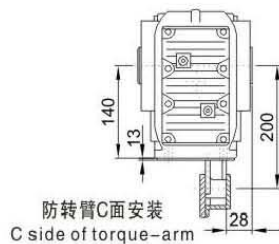
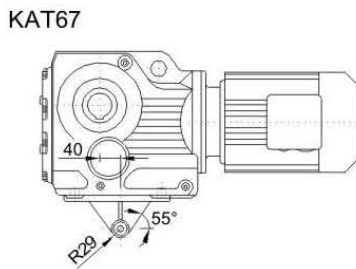
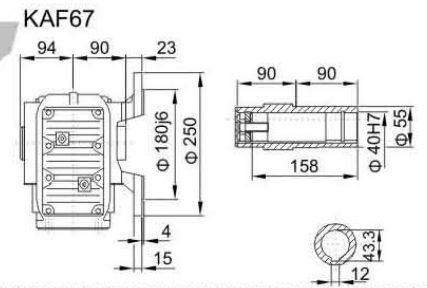
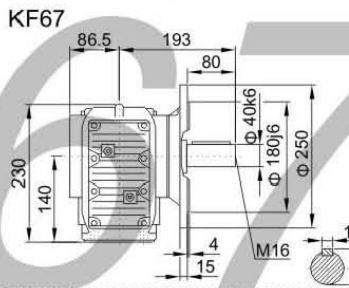
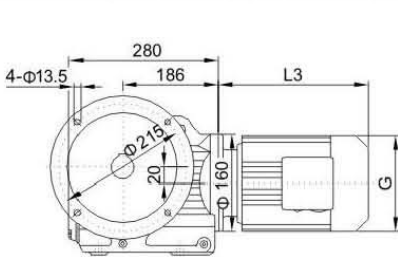
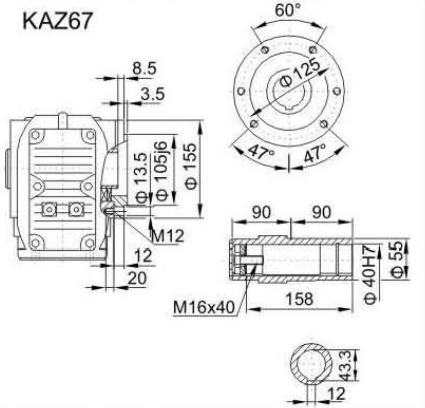
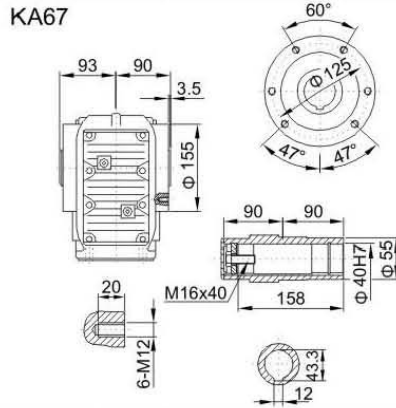
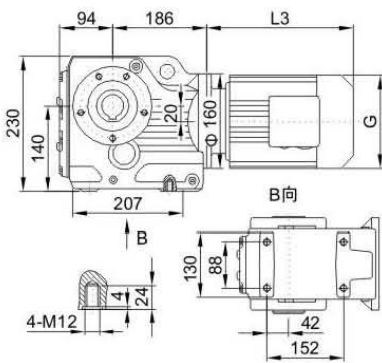
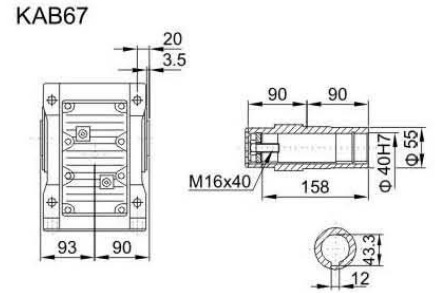
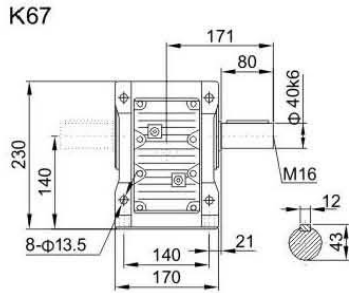
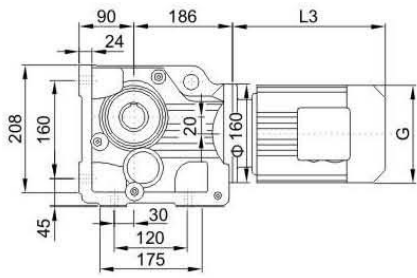
When equipping the user's motor or the special one, the flange is required to be connected.

Y <sub>2</sub> 电机座号 Motor size	63	71	80	90S	90L	100	112M	132S		
功率/4P Power/(kW)	0.18	0.25 0.37	0.55 0.75	1.1	1.5	2.2 3.0	4.0	5.5		
L3	223	245	278	304	328	350	380	425		
G	130	145	175	195	195	215	240	275		
L2	81	81	81	81	81	93	93	101		

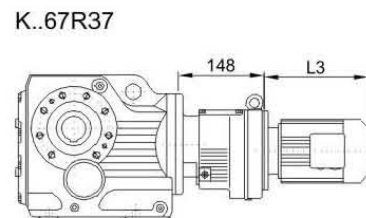
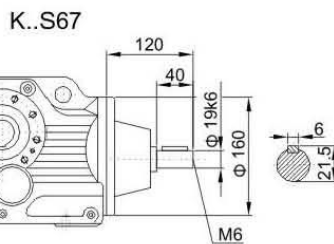
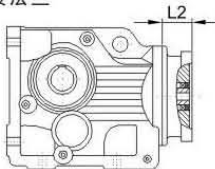
注:1.KA、KF、KAF、KAZ壳体为通用件, 安装尺寸均可相互参照。2.“K”表示K、KA、KF、KAF、KAZ、KAB。  
Note:1.The housings of KA、KF、KAF、KAZ are common parts.The mounting dimensions may consult each other. 2.“K” meanK、KA、KF、KAF、KAZ、KAB.



# 外形安装尺寸 Mounting Dimension Sheets-overview



电机需方配或配特殊电机时  
需加联接法兰



注:其余尺寸见  
相对应结构  
形式

Note: For other  
values please  
refer to the o-  
pposited struc-  
ture

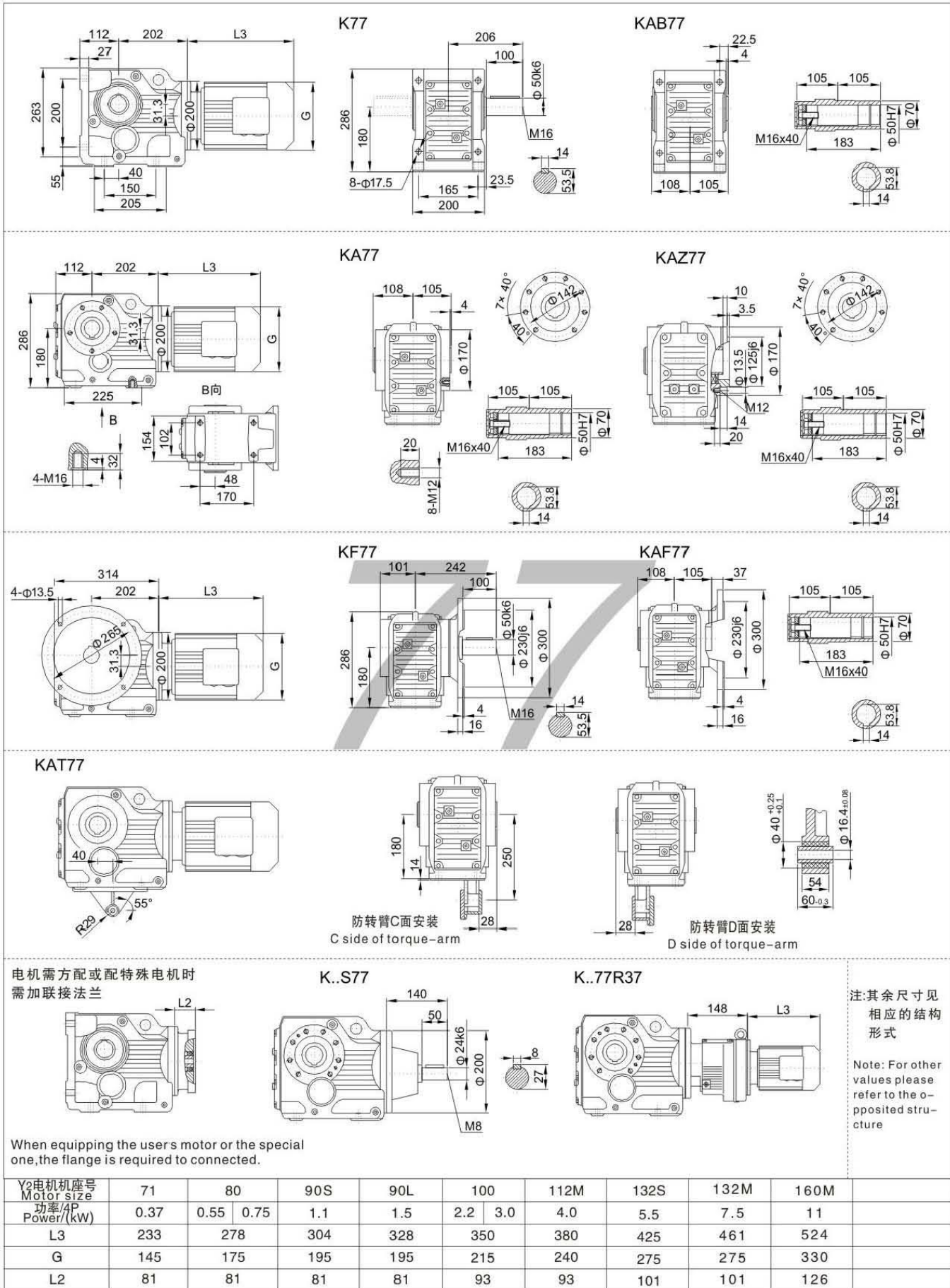
When equipping the users motor or the special  
one, the flange is required to be connected.

Y2电机座号 Motor size	63	71	80	90S	90L	100	112M	132S		
功率/4P Power/(kW)	0.18	0.25 0.37	0.55 0.75	1.1	1.5	2.2 3.0	4.0	5.5		
L3	223	245	278	304	328	350	380	425		
G	130	145	175	195	195	215	240	275		
L2	81	81	81	81	81	93	93	101		

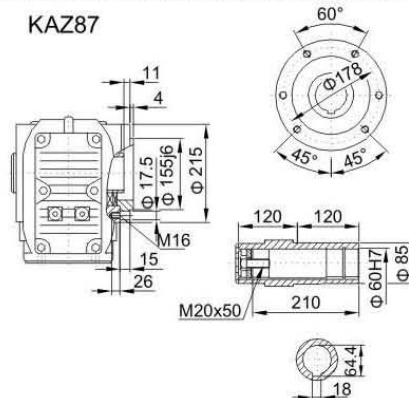
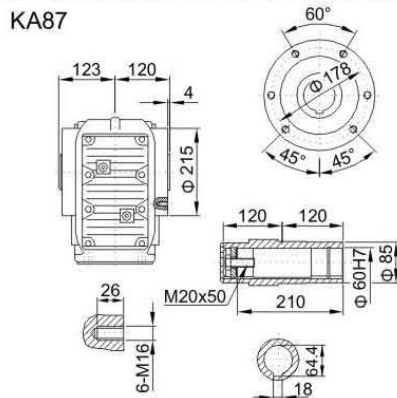
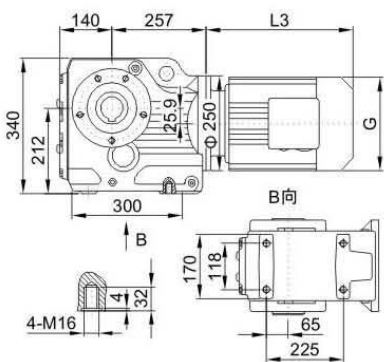
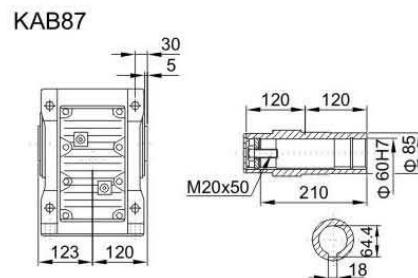
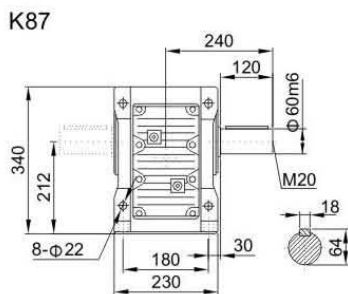
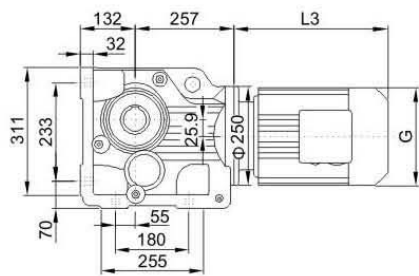
注:1.KA、KF、KAF、KAZ壳体为通用件,安装尺寸均可相互参照。2.“K”表示K、KA、KF、KAF、KAZ、KAB.

Note:1.The housings of KA、KF、KAF、KAZ are common parts. The mounting dimensions may consult each other. 2.“K.” meanK、KA、KF、KAF、KAZ、KAB.

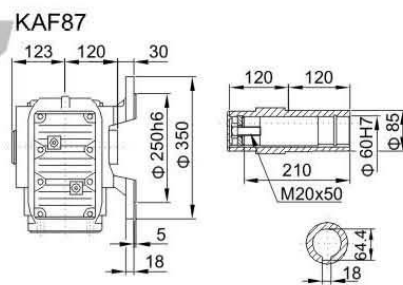
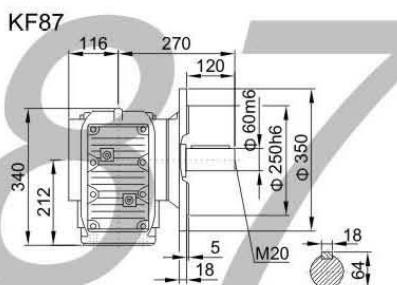
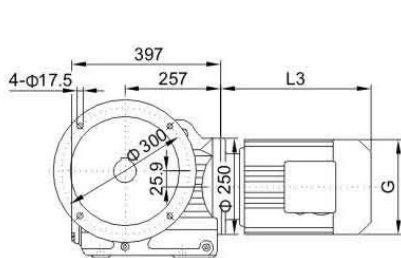




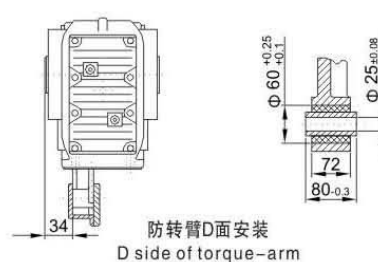
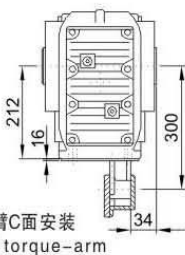
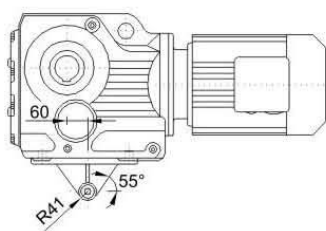
K



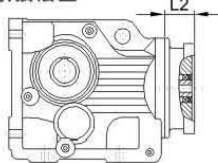
**K**



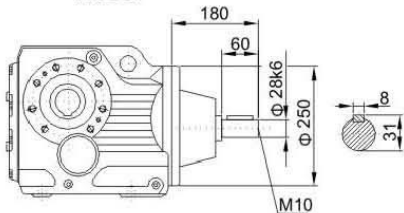
**KAT87**



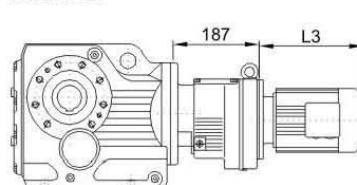
电机需方配或配特殊电机时需加联接法兰



**K..S87**



**K..87R57**



注:其余尺寸见相对应结构形式

Note: For other values please refer to the opposed structure

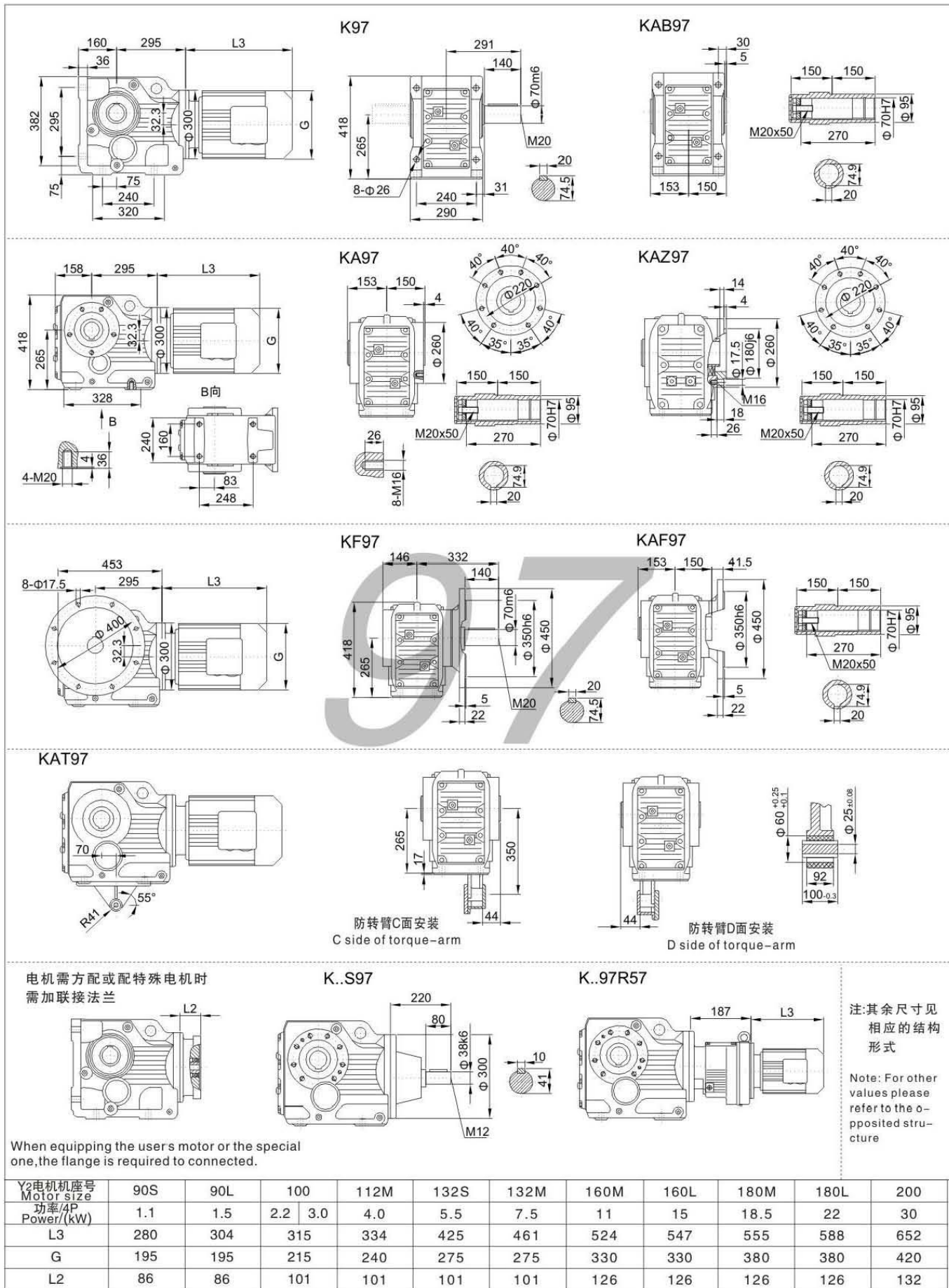
When equipping the users motor or the special one, the flange is required to be connected.

Y2电机机座号 Motor size	80	90S	90L	100	112M	132S	132M	160M	160L	180M	180L
功率/P Power/(kW)	0.75	1.1	1.5	2.2	3.0	4.0	5.5	7.5	11	15	22
L3	246	280	304	350	380	425	461	524	547	583	616
G	175	195	195	215	240	275	275	330	330	380	380
L2	86	86	86	71	71	101	101	126	126	126	126

注:1.KA、KF、KAF、KAZ壳体为通用件, 安装尺寸均可相互参照。2.“K.”表示K、KA、KF、KAF、KAZ、KAB。

Note:1.The housings of KA、KF、KAF、KAZ are common parts. The mounting dimensions may consult each other. 2.“K.” mean K、KA、KF、KAF、KAZ、KAB.





K

电机需方配或配特殊电机时需加联接法兰

When equipping the user's motor or the special one, the flange is required to be connected.

注:其余尺寸见相应的结构形式

Note: For other values please refer to the opposite structure

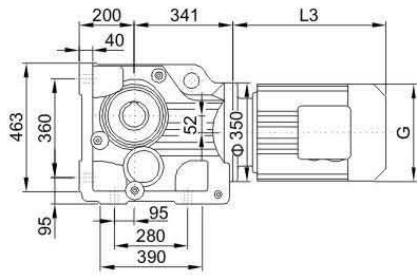
Y2电机座号 Motor size	90S	90L	100	112M	132S	132M	160M	160L	180M	180L	200
功率/4P Power/(kW)	1.1	1.5	2.2	3.0	4.0	5.5	7.5	11	15	18.5	30
L3	280	304	315	334	425	461	524	547	555	588	652
G	195	195	215	240	275	275	330	330	380	380	420
L2	86	86	101	101	101	101	126	126	126	126	132

注:1.KA、KF、KAF、KAZ壳体为通用件, 安装尺寸均可相互参照。2.“K.”表示K、KA、KF、KAF、KAZ、KAB。

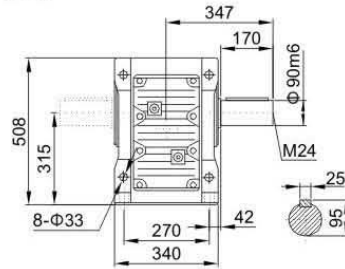
Note:1.The housings of KA、KF、KAF、KAZ are common parts. The mounting dimensions may consult each other. 2.“K.” mean K、KA、KF、KAF、KAZ、KAB.



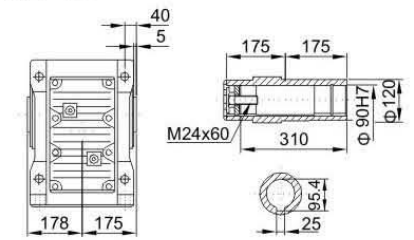
# 外形安装尺寸 Mounting Dimension Sheets-overview



K107

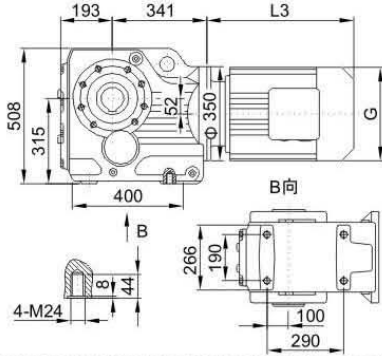


KAB107



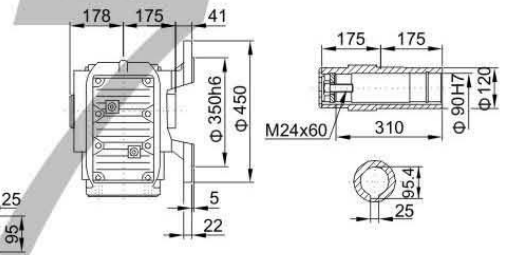
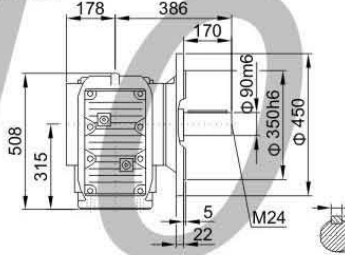
KA107

KAZ107



KF107

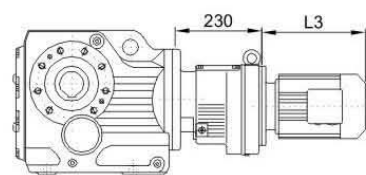
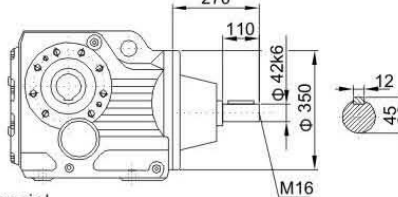
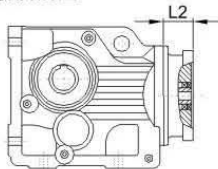
KAF107



K..S107

K..107R77

电机需方配或配特殊电机时  
需加联接法兰



注:其余尺寸见  
相对的结构  
形式

Note: For other  
values please  
refer to the o-  
pposited struc-  
ture

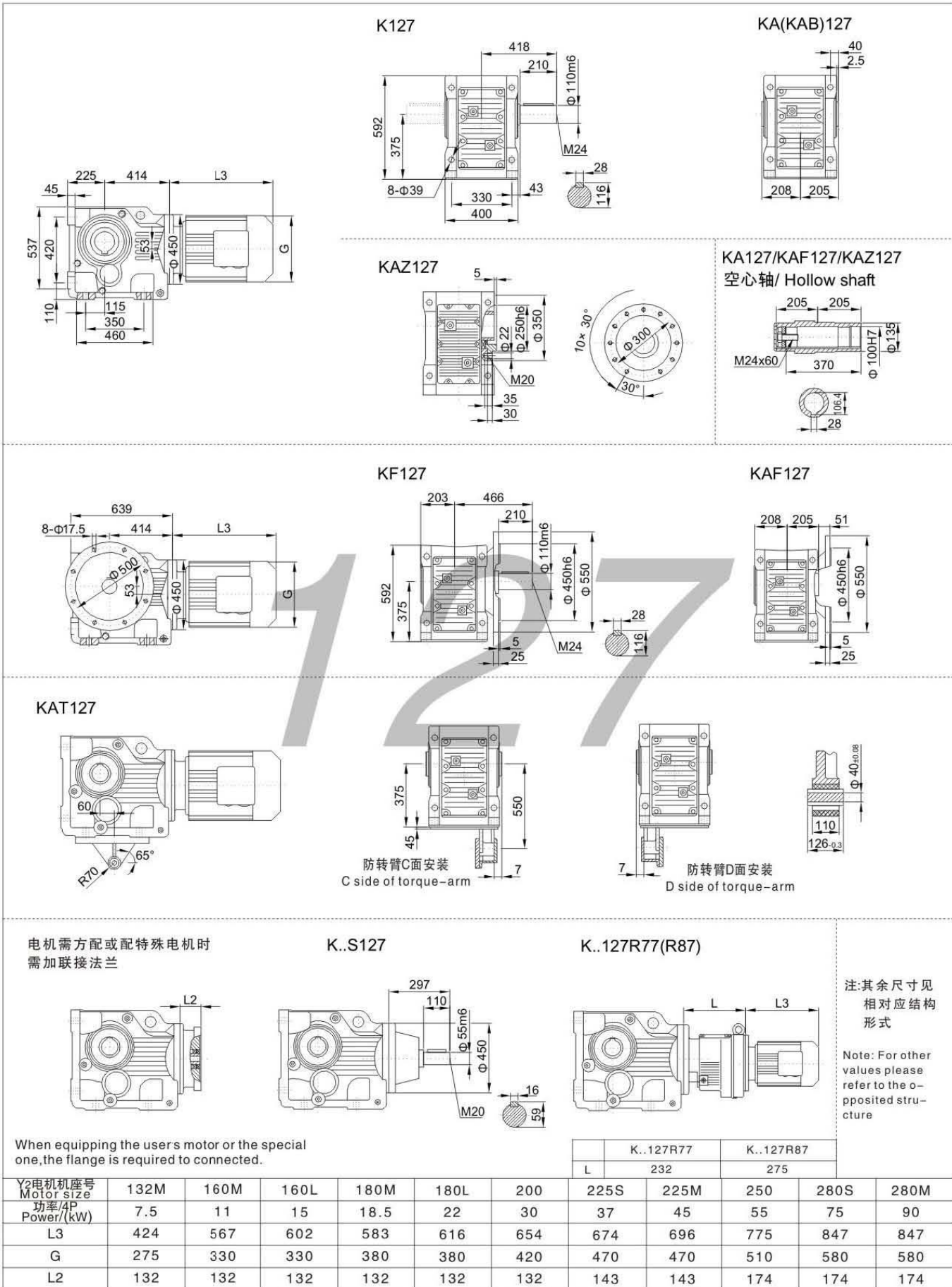
When equipping the user's motor or the special  
one, the flange is required to be connected.

Y <sub>2</sub> 电机座号 Motor size	100	112M	132S	132M	160M	160L	180M	180L	200	225S	225M
功率/4P Power/(kW)	3.0	4.0	5.5	7.5	11	15	18.5	22	30	37	45
L3	318	334	386	422	504	519	555	588	654	680	702
G	215	240	275	275	330	330	380	380	420	470	470
L2	101	101	101	101	126	126	126	126	132	132	132

注:1.KA、KF、KAF、KAZ壳体为通用件, 安装尺寸均可相互参照。2.“K.”表示K、KA、KF、KAF、KAZ、KAB。

Note:1.The housings of KA、KF、KAF、KAZ are common parts. The mounting dimensions may consult each other. 2.“K.” meanK、KA、KF、KAF、KAZ、KAB.





注:1.以上壳体为通用件, 安装尺寸均可相互参照。

2. “K.”表示K、KA、KF、KAF、KAZ、KAB。

Note:1.The housings of KA、KF、KAF、KAZ are common parts.

The mounting dimensions may consult each other. 2. “K.” mean K、KA、KF、KAF、KAZ、KAB.

### K157

### KA(KAB)157

---

### KAZ157

### KA157/KAF157/KAZ157

#### 空心轴/ Hollow shaft

---

### KF157

### KAF157

---

### KAT157

### C side of torque-arm

### D side of torque-arm

---

电机需方配或配特殊电机时需加联接法兰

### K..S157

### K..157R97(R107)

注:其余尺寸见相对应结构形式

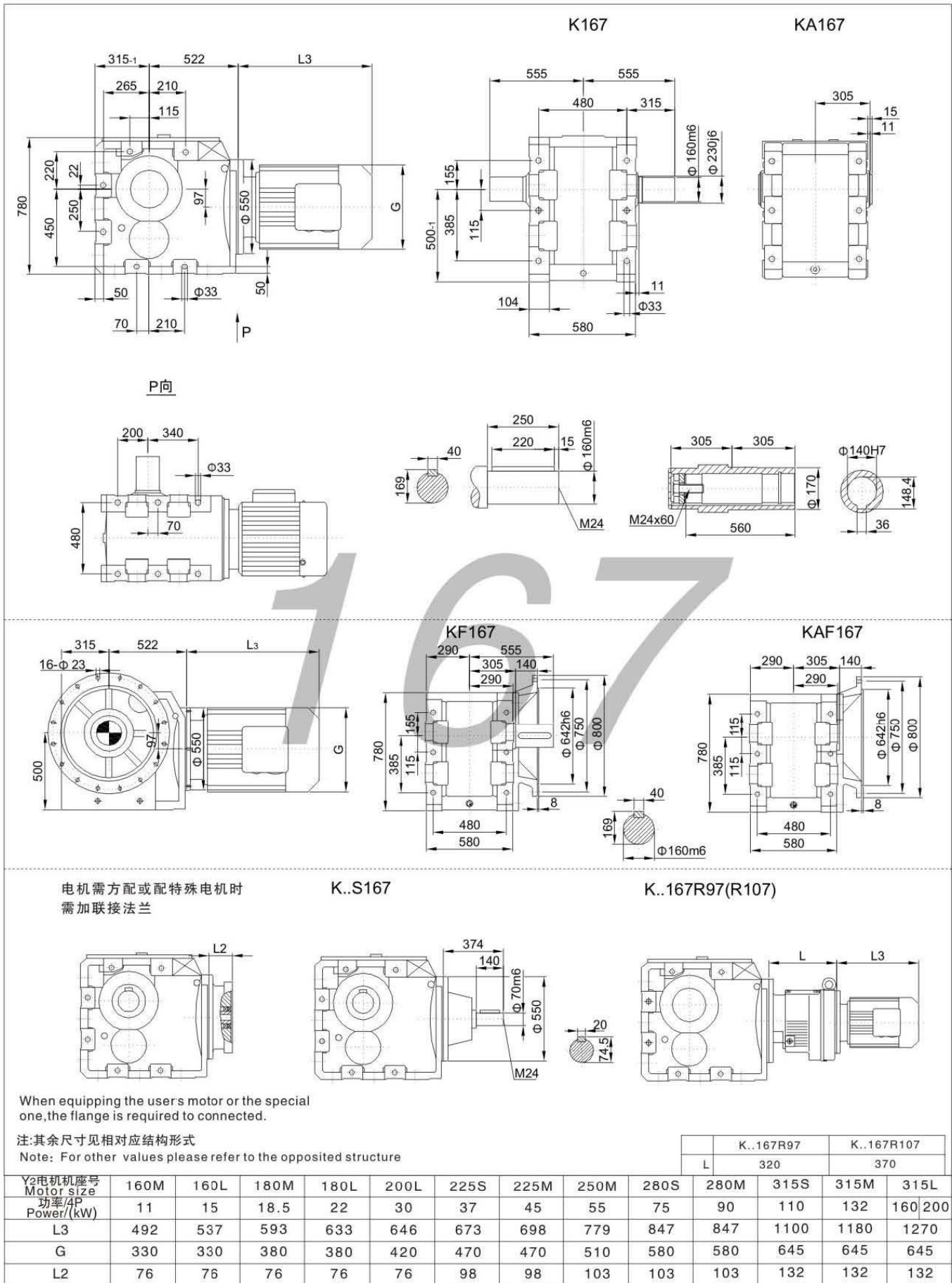
Note: For other values please refer to the o-posed structure

When equipping the users motor or the special one, the flange is required to connected.

	K..157R97						K..157R107						
	L	320	370	420	470	520	L	320	370	420	470		
Y2电机座号 Motor size	160M	160L	180M	180L	200	225S	225M	250	280S	280M	315S	315M	315L
功率/4P Power/(kW)	11	15	18.5	22	30	37	45	55	75	90	110	132	160
L3	567	602	635	666	642	669	691	770	828	879	1100	1180	1270
G	330	330	380	380	420	470	470	510	580	580	645	645	645
L2	143	143	143	143	143	143	143	143	143	143	145	145	145

注:1.以上壳体为通用件, 安装尺寸均可相互参照。 2. "K." 表示K、KA、KF、KAF、KAZ、KAB。  
 Note:1.The housings of KA、KF、KAF、KAZ are common parts. The mounting dimensions may consult each other. 2. "K." meanK、KA、KF、KAF、KAZ、KAB.





K

