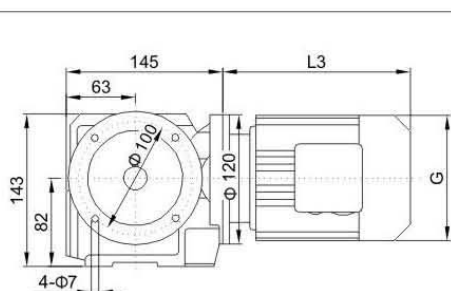
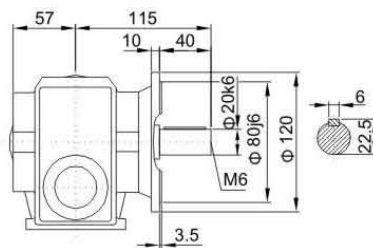




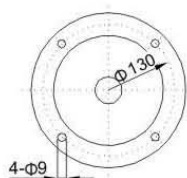
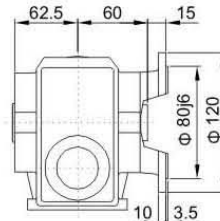
外形安装尺寸 Mounting Dimension Sheets-overview



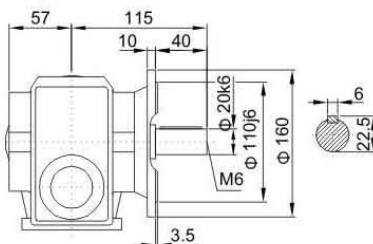
SF37/φ 120



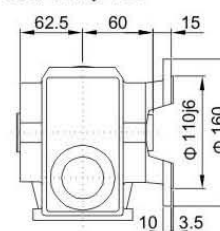
SAF37/φ 120



SF37/φ 160

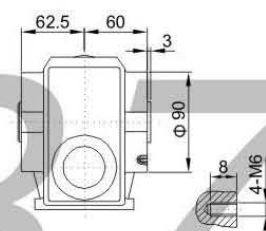
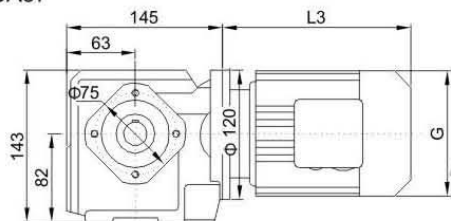


SAF37/φ 160



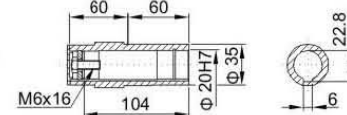
S

SA37

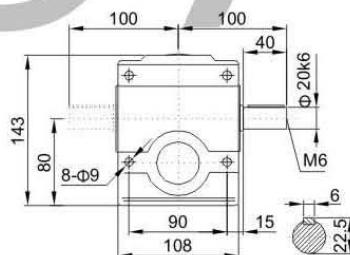
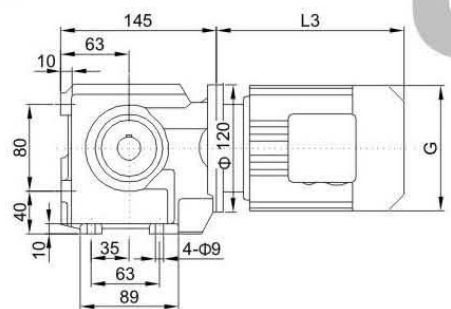


SAF37/SA37/SAZ37

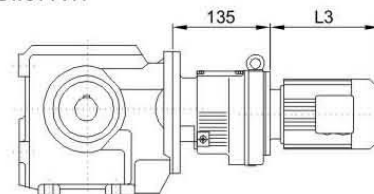
空心轴/ Hollow shaft



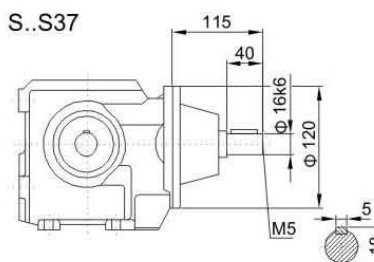
S37



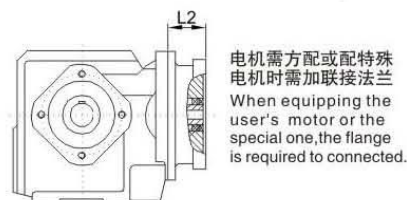
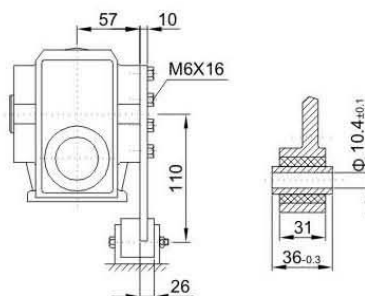
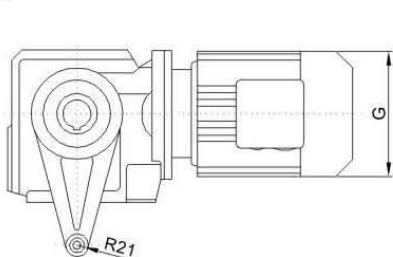
S..37R17



S..S37



SAT37



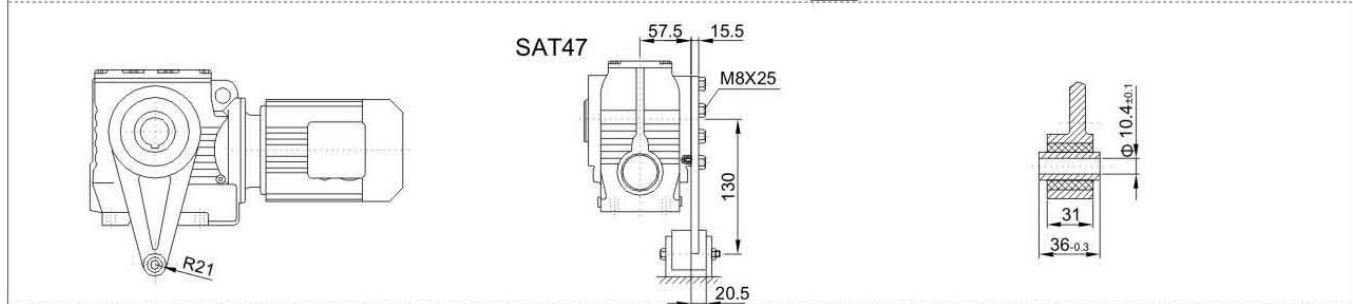
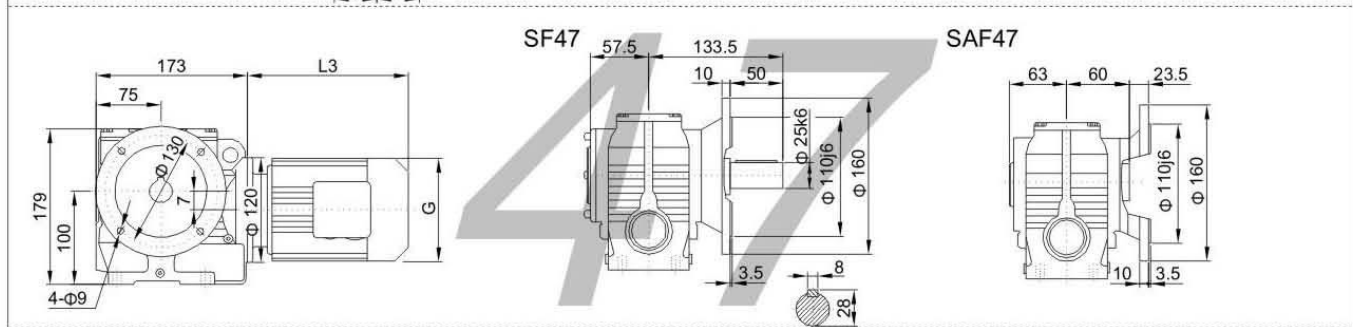
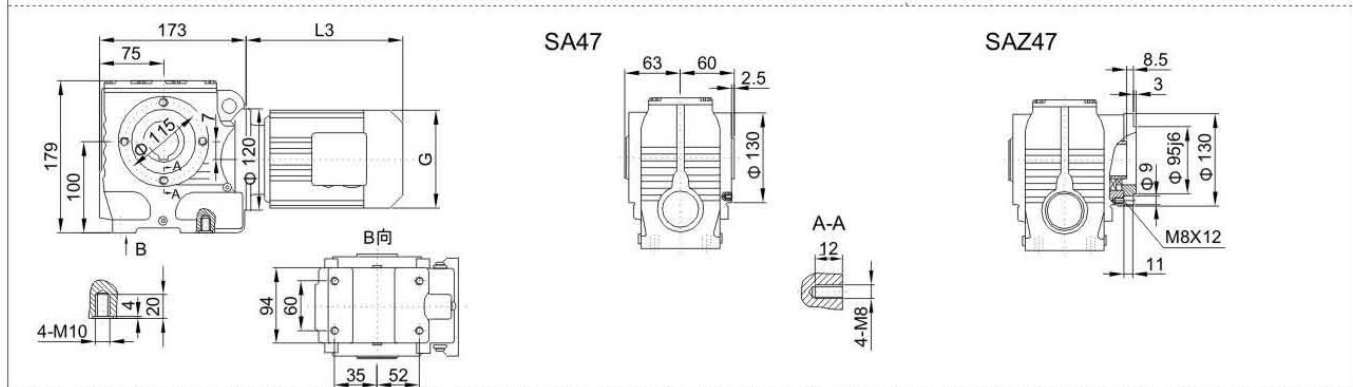
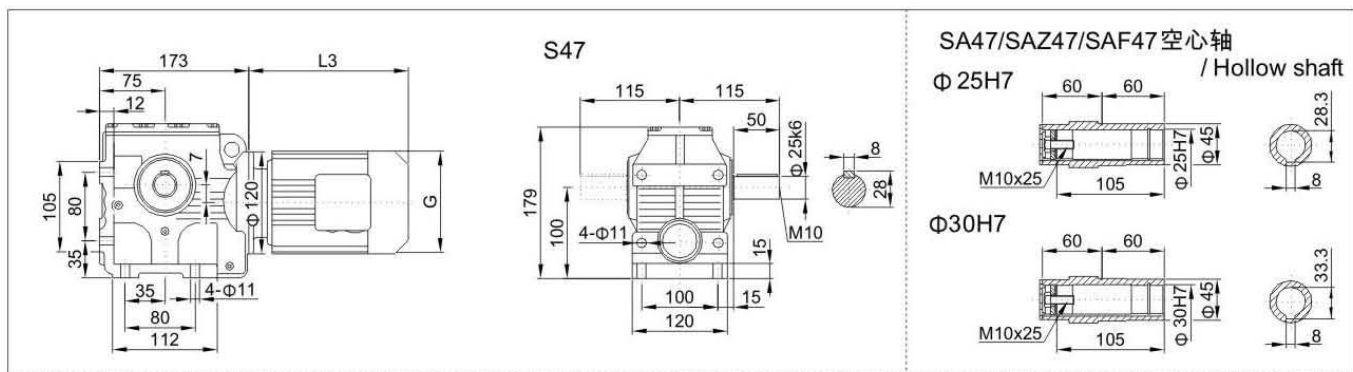
电机需方配或配特殊电机时需加联接法兰
When equipping the user's motor or the special one, the flange is required to be connected.

注: 其余尺寸见相应的结构形式
Note: For other values please refer to the opposite structure

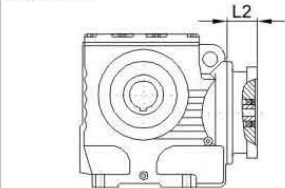
Y ₂ 电机座号 Motor size	63	71	80
功率/4P Power/(kW)	0.18	0.25 0.37	0.55 0.75
L3	235	245	278
G	130	145	175
L2	71	71	71

注: 1.SA、SF、SAF、SAZ壳体为通用件, 安装尺寸均可相互参照。2.“S”表示S、SA、SF、SAF、SAZ

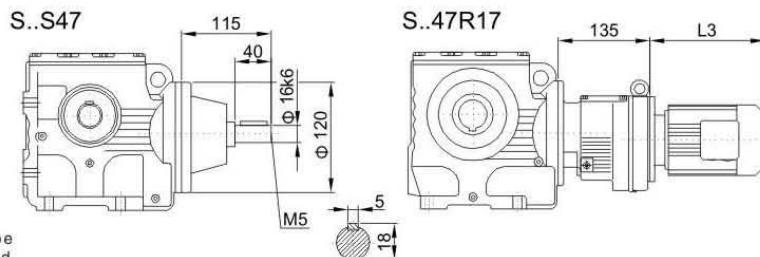
Note: 1.The housings of SA、SF、SAF、SAZ are common parts.The mounting dimensions may consult each other. 2.“S..” mean S、SA、SF、SAF、SAZ



电机需方配或配特殊电机时需加联接法兰



When equipping the user's motor or the special one, the flange is required to be connected.

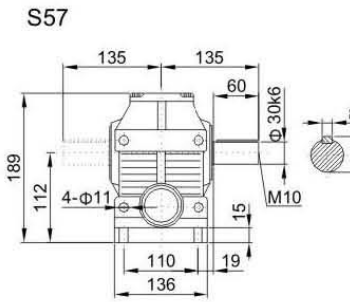
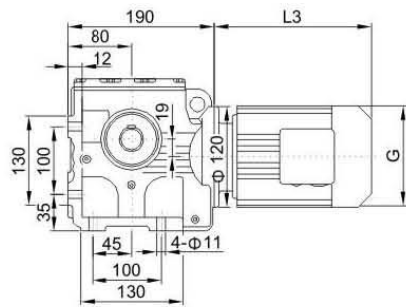


注: 其余尺寸见相应的结构形式
Note: For other values please refer to the opposite structure

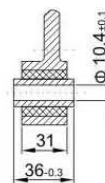
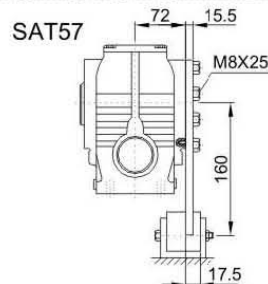
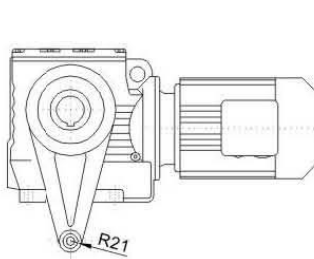
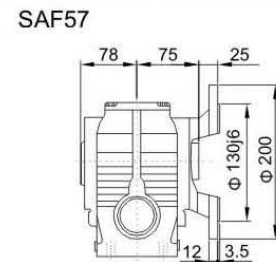
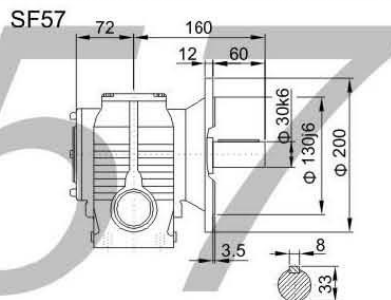
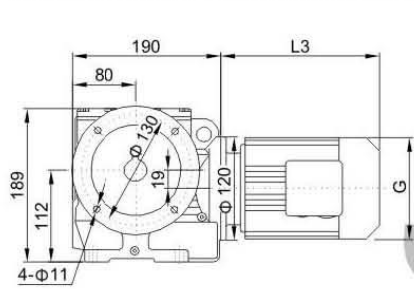
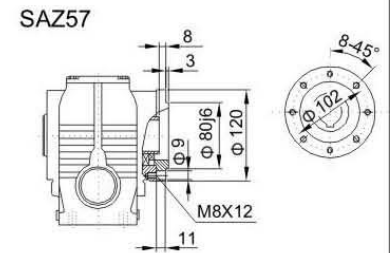
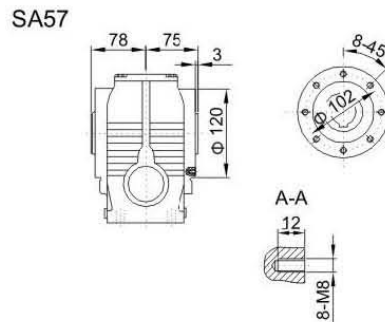
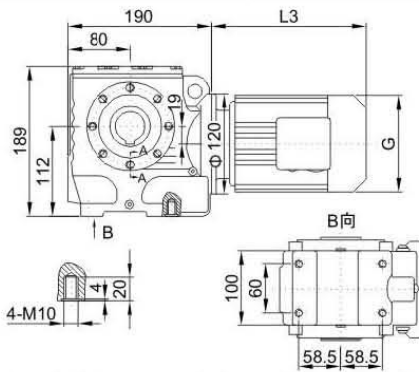
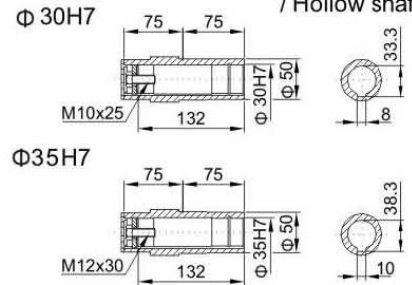
Y2电机座号 Motor size	63	71	80	90S	90L		
功率/4P Power/(kW)	0.18	0.25	0.37	0.55	0.75	1.1	1.5
L3	235	245	278	304	328		
G	130	145	175	195	195		
L2	71	71	71	71	71		

注:1.SA、SF、SAF、SAZ壳体为通用件,安装尺寸均可相互参照。2.“S”表示S、SA、SF、SAF、SAZ

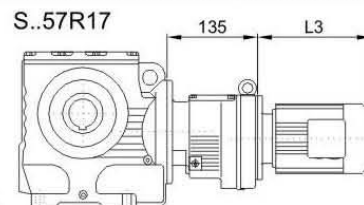
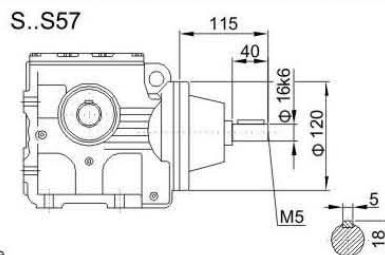
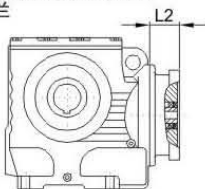
Note:1.The housings of SA、SF、SAF、SAZ are common parts.The mounting dimensions may consult each other. 2.“S..” mean S、SA、SF、SAF、SAZ



SA57/SAZ57/SAF57空心轴 / Hollow shaft



电机需方配或配特殊电机时需加联接法兰



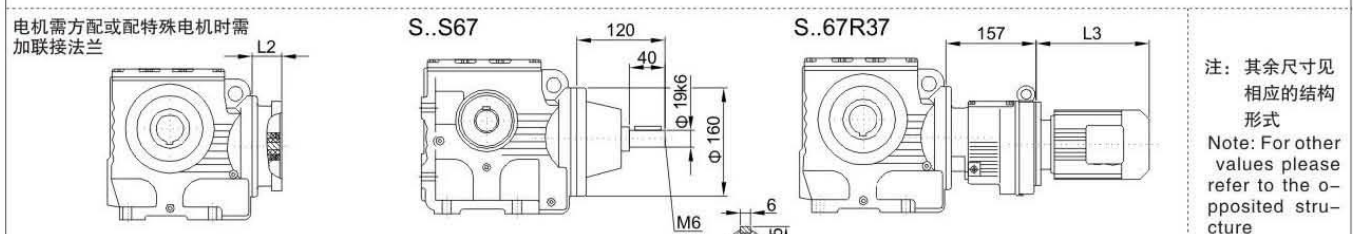
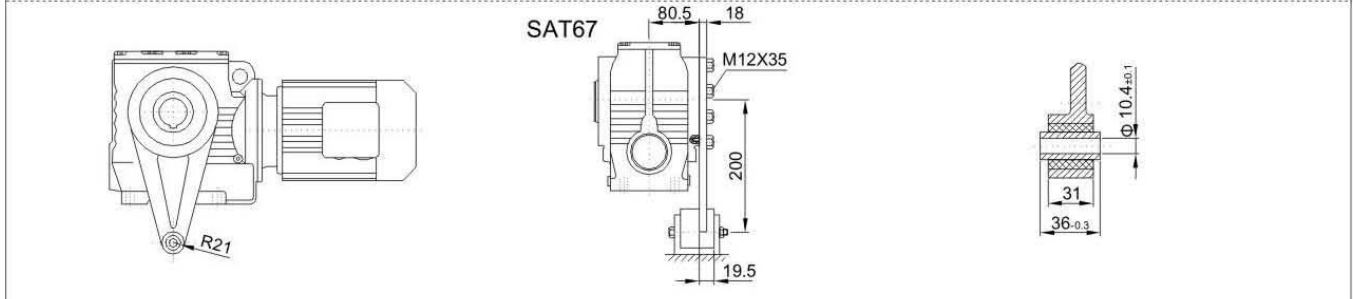
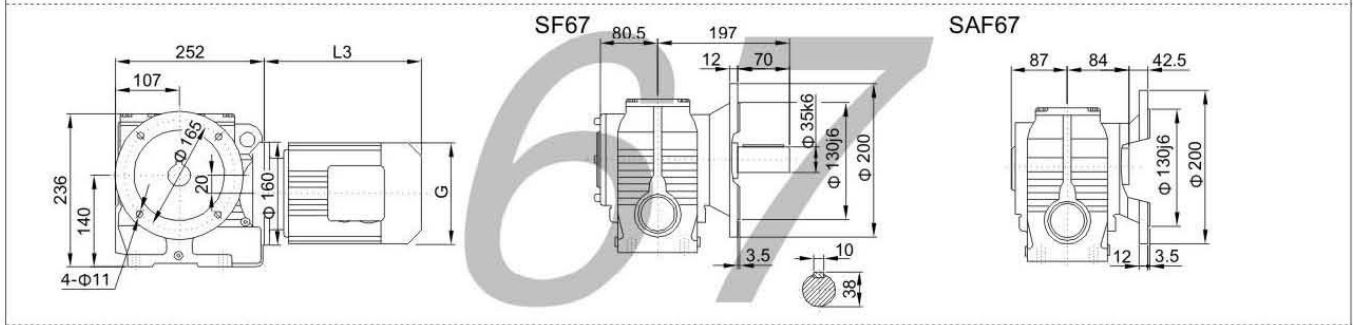
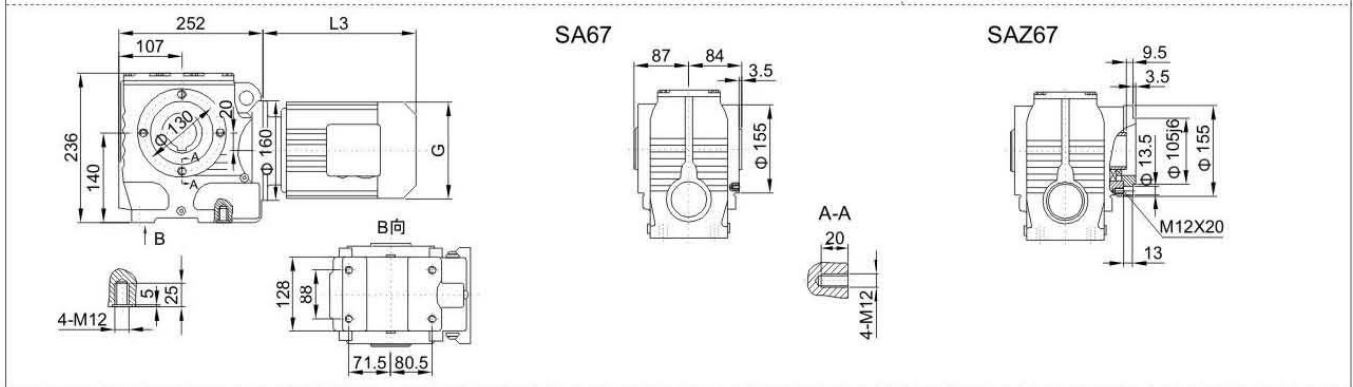
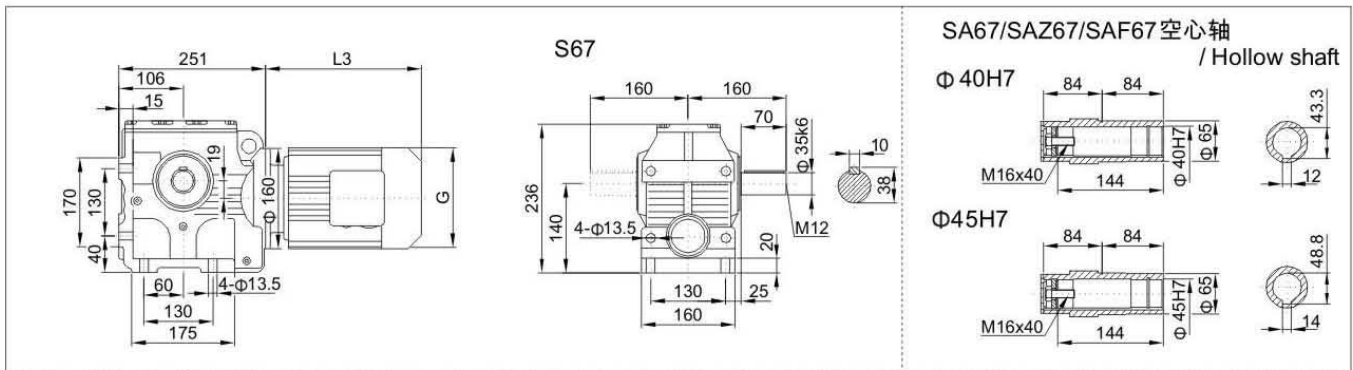
注：其余尺寸见相应的结构形式
Note: For other values please refer to the opposite structure

When equipping the user's motor or the special one, the flange is required to be connected.

Y2电机机座号 Motor size	63	71	80	90S	90L	100	
功率/4P Power/(kW)	0.18	0.37	0.55 0.75	1.1	1.5	2.2 3.0	
L3	235	245	278	304	328	340	
G	130	145	175	195	195	215	
L2	71	71	71	71	71	93	

注:1.SA、SF、SAF、SAZ壳体为通用件, 安装尺寸均可相互参照。2.“S”表示S、SA、SF、SAF、SAZ

Note:1.The housings of SA、SF、SAF、SAZ are common parts.The mounting dimensions may consult each other. 2.“S..” mean S、SA、SF、SAF、SAZ

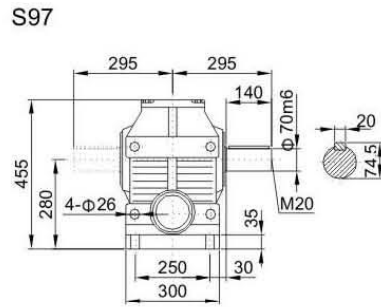
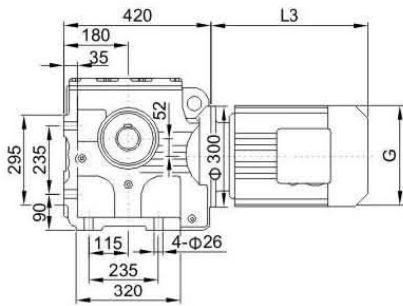


注：其余尺寸见相应的结构形式
Note: For other values please refer to the opposite structure

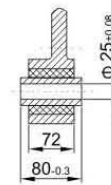
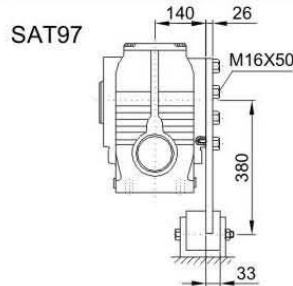
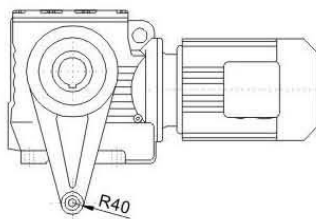
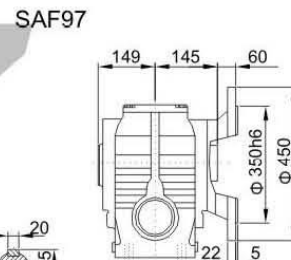
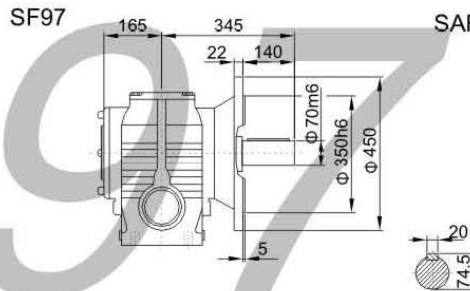
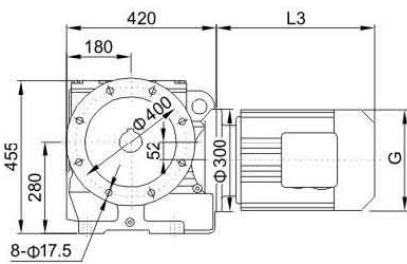
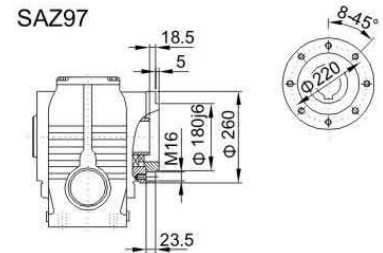
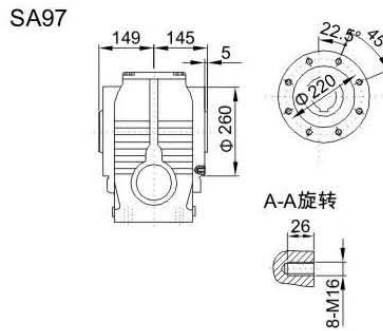
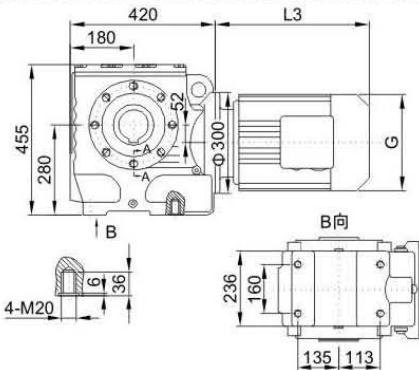
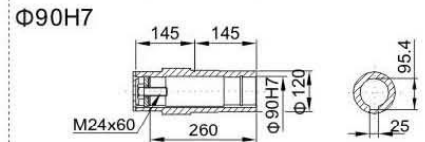
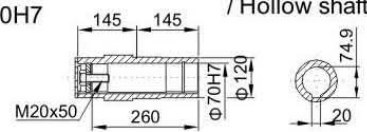
电机需方配或配特殊电机时需加联接法兰
When equipping the user's motor or the special one, the flange is required to be connected.

Y2电机机座号 Motor size	71	80	90S	90L	100	112M	132S		
功率/4P Power/(kW)	0.25	0.37	0.55	0.75	1.1	1.5	2.2	3.0	4.0
L3	245	278	304	328	350	380	425		
G	145	175	195	195	215	240	275		
L2	81	81	81	81	93	93	101		

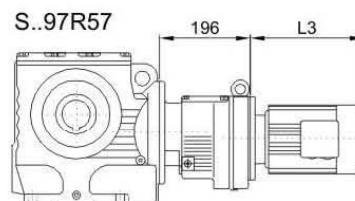
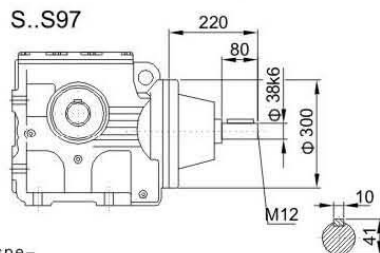
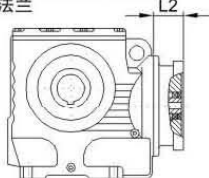
注:1.SA、SF、SAF、SAZ壳体为通用件, 安装尺寸均可相互参照。2.“S.”表示S、SA、SF、SAF、SAZ
Note:1.The housings of SA、SF、SAF、SAZ are common parts.The mounting dimensions may consult each other. 2.“S..” mean S、SA、SF、SAF、SAZ



SA97/SAZ97/SAF97空心轴 / Hollow shaft



电机需方配或配特殊电机时需加联接法兰



注：其余尺寸见相应的结构形式
Note: For other values please refer to the opposite structure

When equipping the user's motor or the special one, the flange is required to be connected.

Y ₂ 电机机座号 Motor size	90L	100	112M	132S	132M	160M	160L	180M	180L
功率/4P Power/(kW)	1.5	2.2	3.0	4.0	5.5	7.5	11	15	22
L3	304	315	334	425	461	524	547	555	588
G	195	215	240	275	275	330	330	380	380
L2	86	86	86	101	101	126	126	126	126

注:1.SA、SF、SAF、SAZ壳体为通用件, 安装尺寸均可相互参照。2.“S..”表示S、SA、SF、SAF、SAZ

Note:1.The housings of SA、SF、SAF、SAZ are common parts.The mounting dimensions may consult each other.2.“S..” mean S、SA、SF、SAF、SAZ